

NIEMEYER Agrartechnik GmbH

Ersatzteillager

Hansestr. 1

D-481477 Hörstel-Riesenbeck

Telefon: +49(0)5454 / 910 192

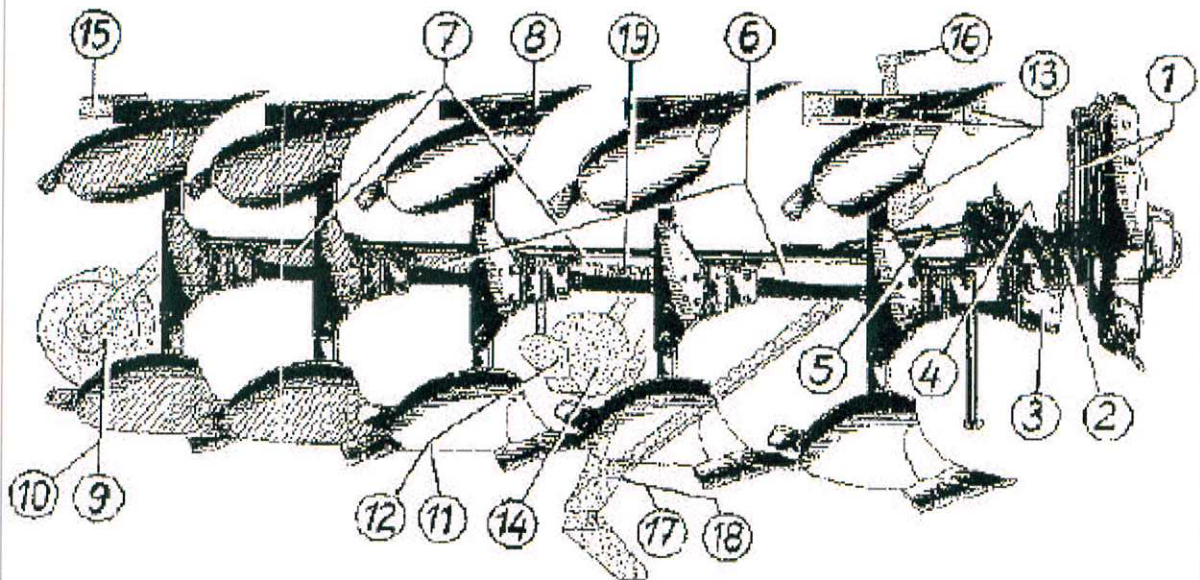
Telefax: +49(0)5454 / 910 282

E-Mail: info@niemeyerweb.de

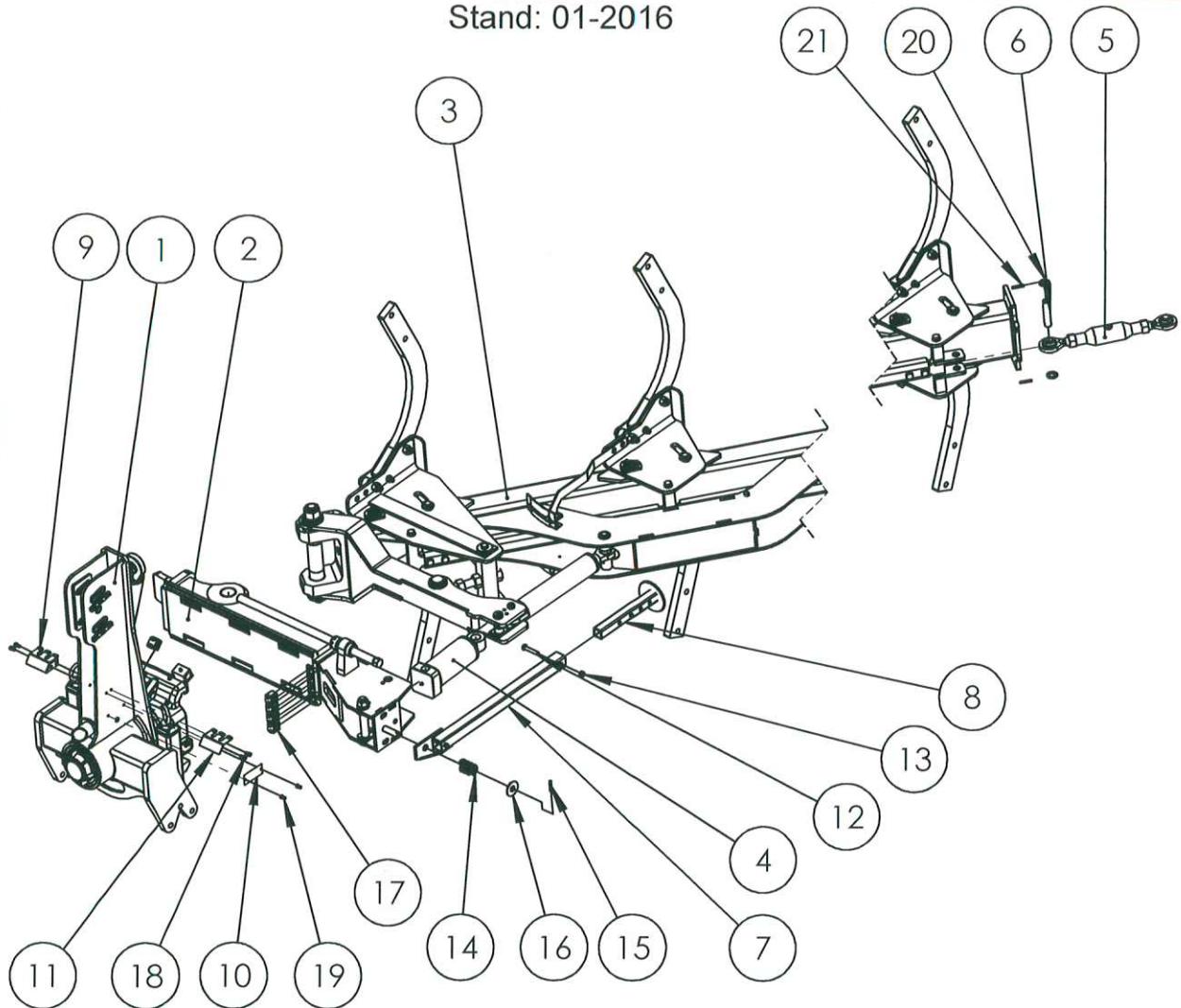
Web: www.niemeyerweb.de

Ersatzteilliste

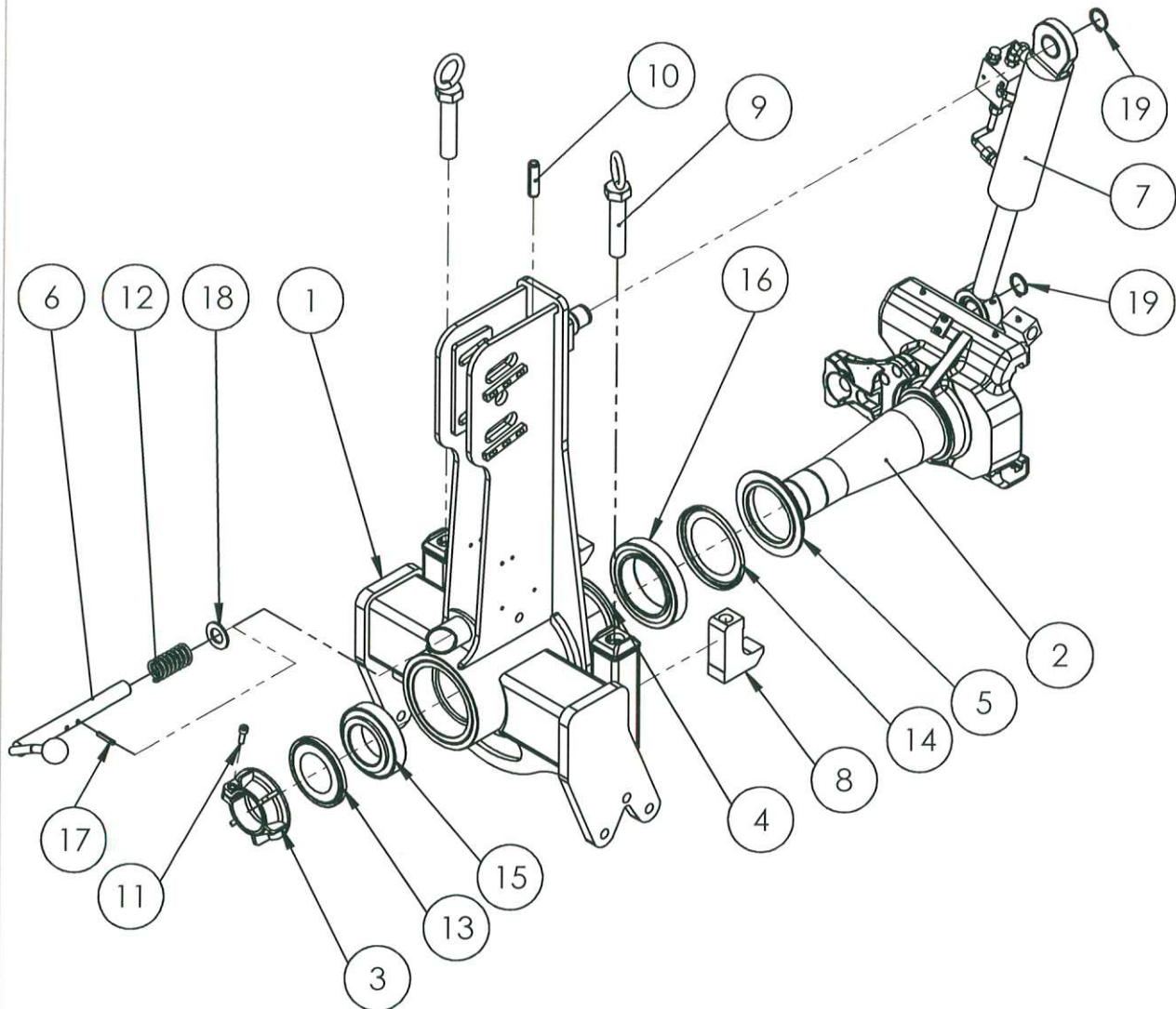
Alpha top 85 - Variant



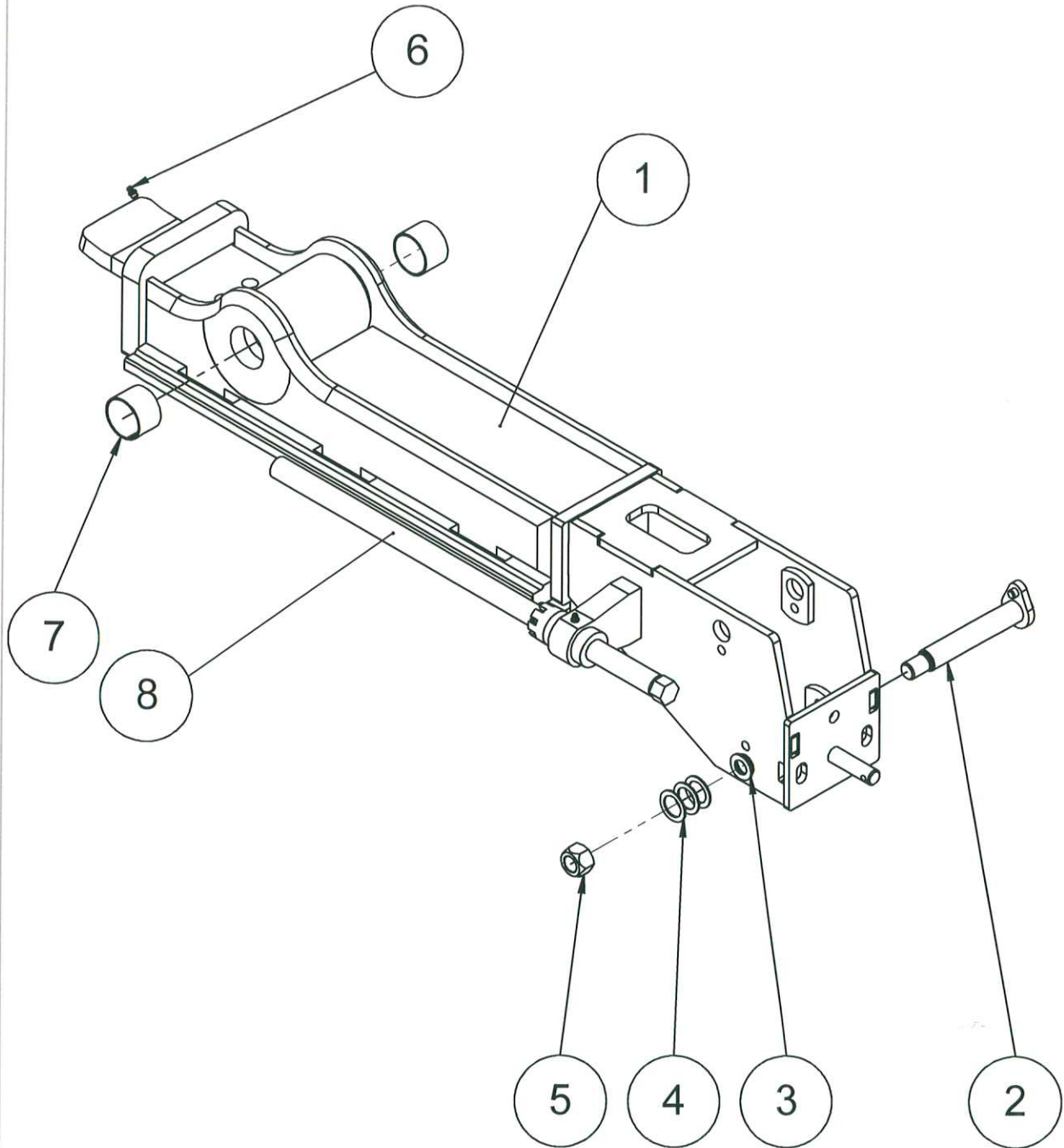
| Pos. | Benennung | Seite |
|------|---|-------|
| 1 | AT-85 Variant- Komplett | 301 |
| 2 | AT-85 Tragbock + Drehwelle | 302 |
| 3 | AT-85 Führung-Komplett | 303 |
| 4 | AT-85 Variant Pflugrahmen komplett | 304 |
| 5 | AT-85 Variant Pflugrahmen komplett | 305 |
| 6 | AT-85 Rahmen | 306 |
| 7 | AT-85 Variant Halterung vorne (1. Körper) | 307 |
| 8 | AT-85 Variant Halterung hinten 2./3./4./5./6./ Körper | 308 |
| 9 | AT-85 Variant Steuergestänge komplett | 309 |
| 10 | AT-85 Variant Verlängerung komplett | 310 |
| 11 | AT-85 Variant Hydraulik | 311 |
| | | |
| | | |
| | | |



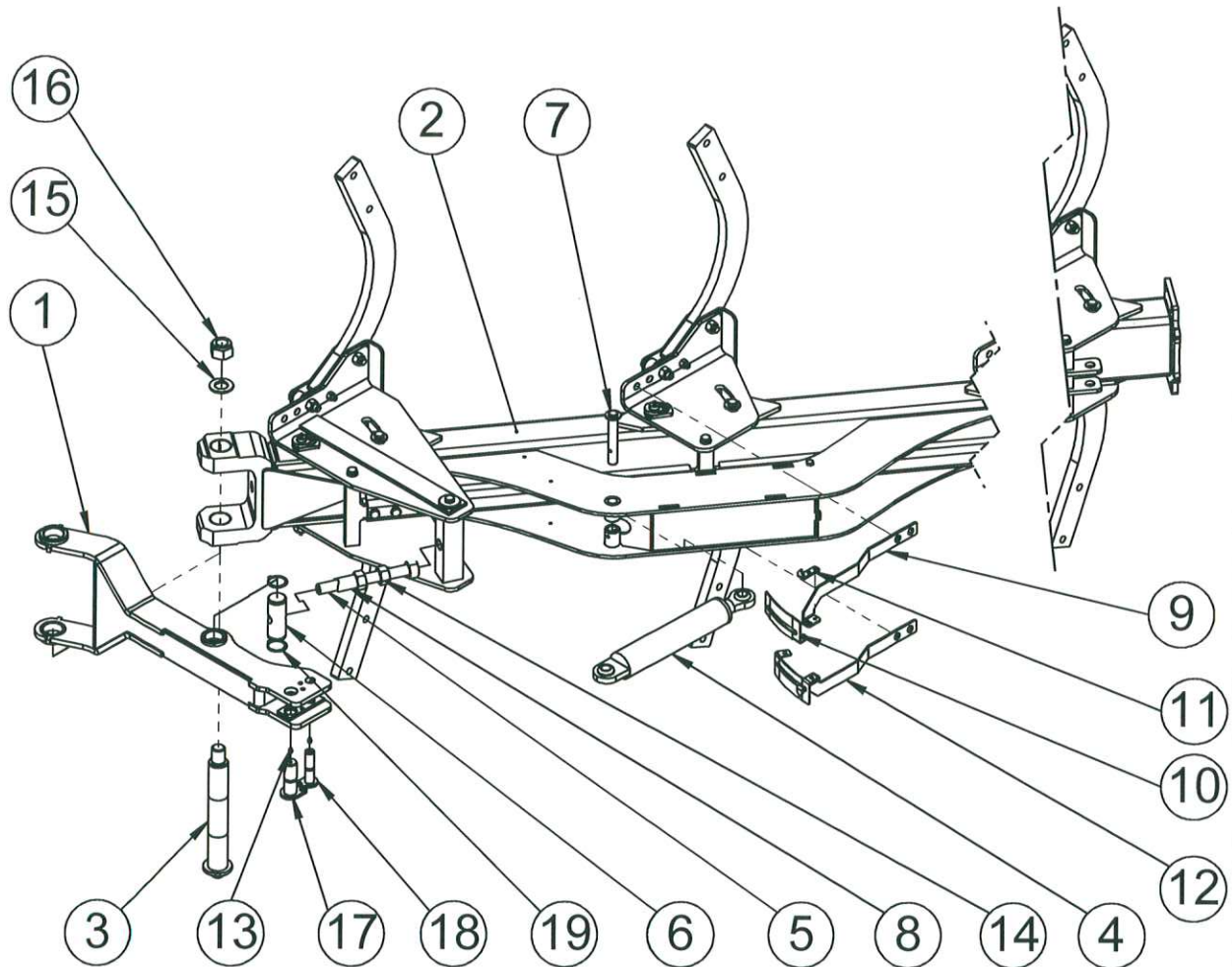
| Nr. | Id.-Nr. | Benennung | Discription | Menge | Abmasse |
|-----|---------|------------------------|-----------------------|-------|------------------------|
| 1 | 905876c | Tragbock AT-85 | basic carrier AT-85 | 1 | |
| 2 | 409364b | Führung | bracket guide | 1 | |
| 3 | 409413d | Pflugrahmen V | plough bracket | 1 | |
| 4 | 409310a | Rahmenschwenkzylinder | pivoting cylinder | 1 | |
| 5 | 409441a | Zugstange Stützrad | tie rod support wheel | 1 | |
| 6 | 409439 | Bolzen Zugstange | bolt | 1 | Ø25 x 117 |
| 7 | 033185 | Stützde Oberteil | upper bracket | 1 | |
| 8 | 033184 | Abstelstütze Unterteil | bracket | 1 | |
| 9 | 409553 | Schlauchhalter | pipe holder | 1 | |
| 10 | 647013 | Typenschild | type sign | 1 | |
| 11 | 409554 | Schlauchhalter | pipe holder | 1 | spiegelbildlich 409553 |
| 12 | 500412 | Sechskantschrauben | hex. head screw | 1 | M12x65 8.8 DIN 931 |
| 13 | 510229 | Sechskantmutter | hex. head nut | 1 | M12 8.8 ISO 4032 |
| 14 | 560334 | Feder | spring | 1 | |
| 15 | 530095 | Spannstift | spring pin | 1 | Ø8 x 45 DIN 1481 |
| 16 | 520286 | Scheibe | washer | 1 | Ø22x60x4 ISO7093 |
| 17 | 409565 | Schlauchhalter | pipe holder | 5 | 3/8" DIN 3015/1 |
| 18 | 501650 | Zylinderkopfschraube | clinder head screw | 4 | M8x16 ISO |
| 19 | 530742 | Blindniet | blind rivet | 2 | 6x18 |
| 20 | 520184 | Scheibe | washer | 2 | Ø26x40x4 DIN 1441 |
| 21 | 530146 | Spannstift | spring pin | 2 | Ø8x45 DIN 1481 |



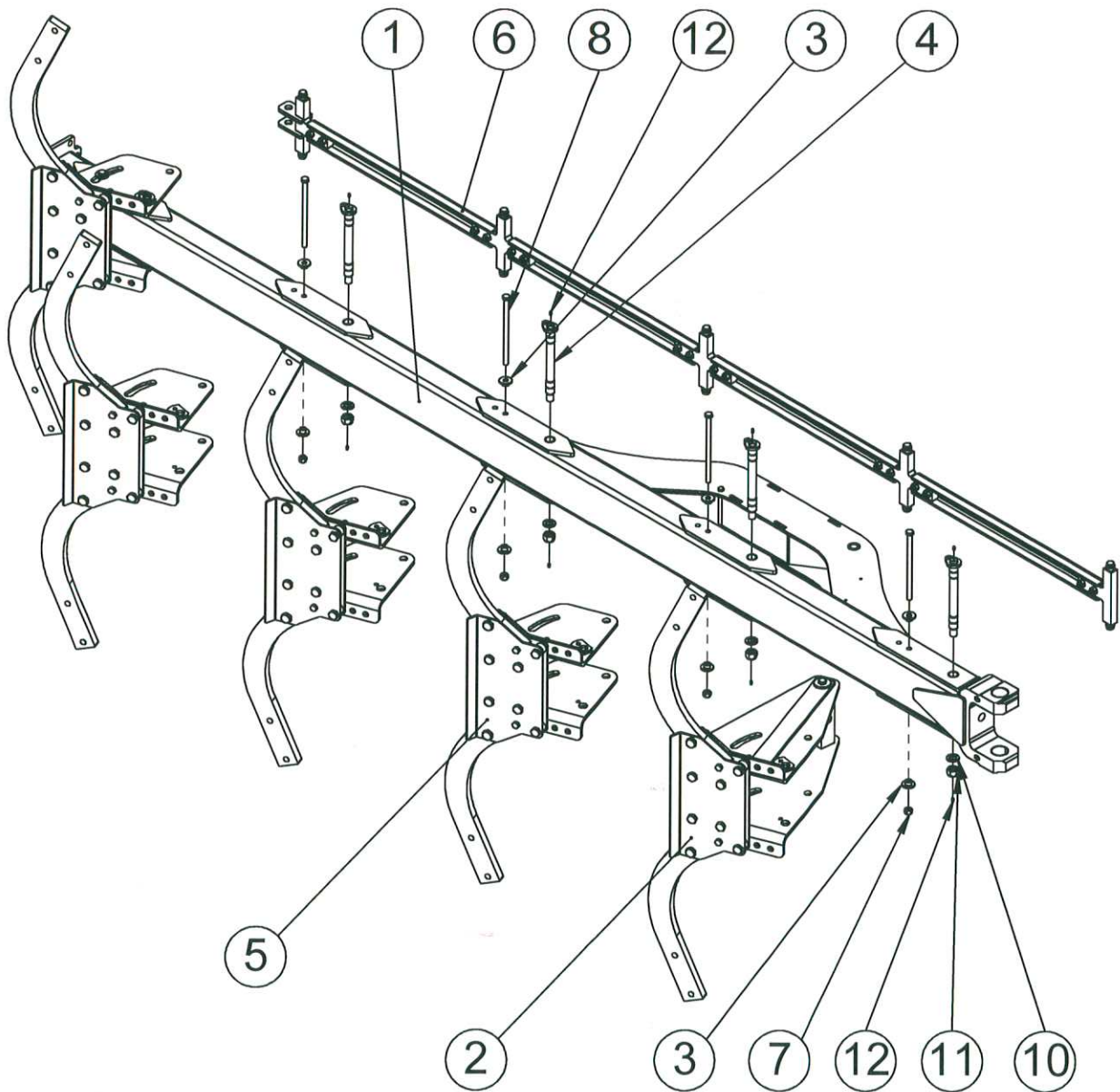
| Nr. | Id.-Nr. | Benennung | discription | Menge | Abmasse |
|-----|---------|-------------------|----------------------------|-------|---------------------|
| 1 | 033383h | Tragbock | headstock | 1 | |
| 2 | 033605c | Welle | shaft | 1 | |
| 3 | 032481 | Kronenmutter | crown nut | 1 | |
| 4 | 032565 | Scheibe | washer | 1 | |
| 5 | 033634 | Druckring | compression ring | 1 | |
| 6 | 009562b | Sperrbolzen | bolt | 1 | |
| 7 | 581106 | Hydraulikzylinder | hydr. cylinder | 1 | DZ-90-40-265-HPS-3A |
| 8 | 032501c | Anschlag | stopper | 2 | |
| 9 | 032500b | Einstellschraube | adjusting screw | 2 | |
| 10 | 530240 | Spannhülse | pin | 1 | |
| 11 | 501667 | Zyl. Schraube | hex. socket head cap screw | 1 | M10x30 8.8 verz. |
| 12 | 560320 | Feder | spring | 1 | 95x38x5 |
| 13 | 550414 | Nilosring | nilos-ring | 1 | 32217 AV |
| 14 | 550410 | Nilosring | nilos-ring | 1 | 32024 AV |
| 15 | 541042 | Kegelrollenlager | taper roller bearing | 1 | 32217 |
| 16 | 541031 | Kegelrollenlager | taper roller bearing | 1 | 32024 |
| 17 | 530146 | Spannstift | spring pin | 1 | Ø8x45 DIN 1481 |
| 18 | 520215 | Scheibe | washer | 1 | M30 DIN 125 |
| 19 | 531527 | Seegerring | ring | 2 | D40x2,5 DIN471 |



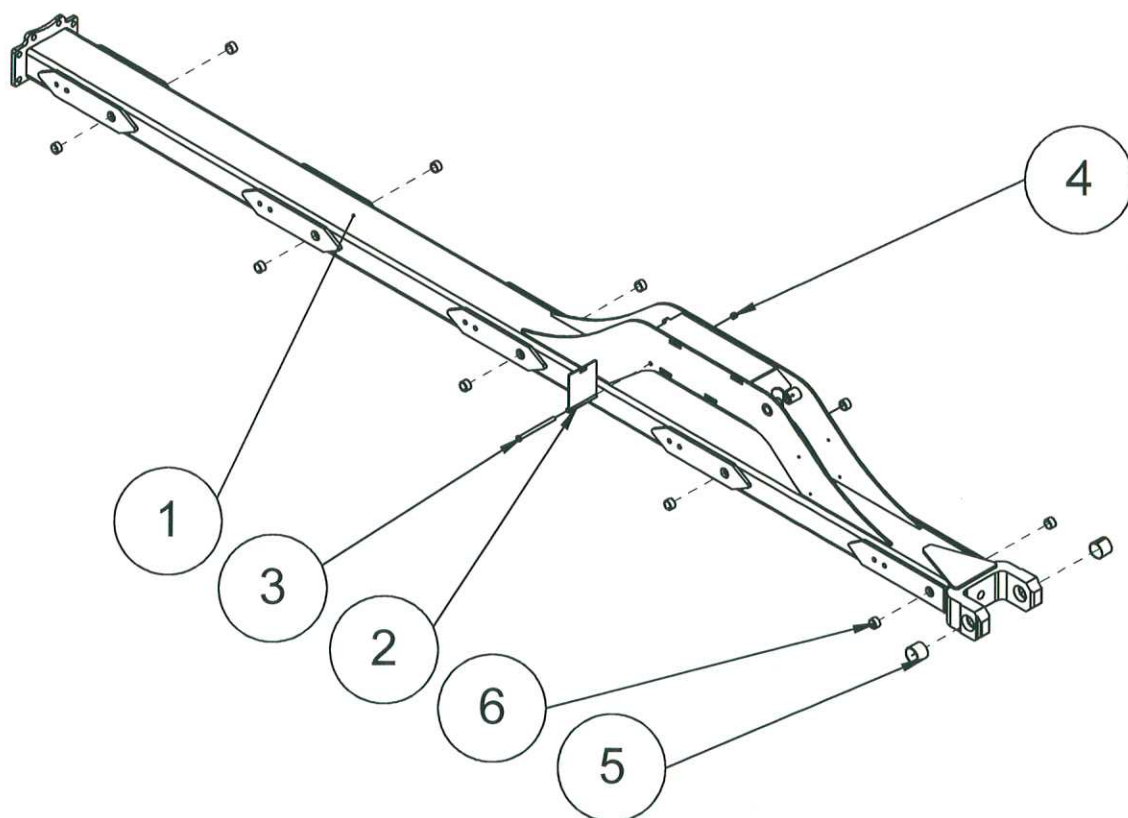
| Nr. | Id.-Nr. | Benennung | Discription | Menge | Abmasse |
|-----|---------|---------------------------------|--------------------|-------|-------------------------|
| 1 | 409350b | Fuehrung | bracket | 1 | |
| 2 | 033530 | Schwenkbolzen | bolt | 1 | |
| 3 | 520177 | Scheibe | washer | 1 | Ø25 x 44 x 4 DIN 125 |
| 4 | 520223 | Scheibe | washer | 3 | Ø31x45x2 |
| 5 | 510460 | Sechskantmutter M24x1,5 DIN 980 | hex-head nut | 1 | M24x1,5 DIN EN ISO 7042 |
| 6 | 570265 | Schmiernippel | grease nipple | 2 | M8 x 1 H1/S |
| 7 | 541738 | Buchse | bush | 2 | Ø60 x 55 x 40 |
| 8 | 705089 | Spurspindel kpl. | track shaft compl. | 1 | |



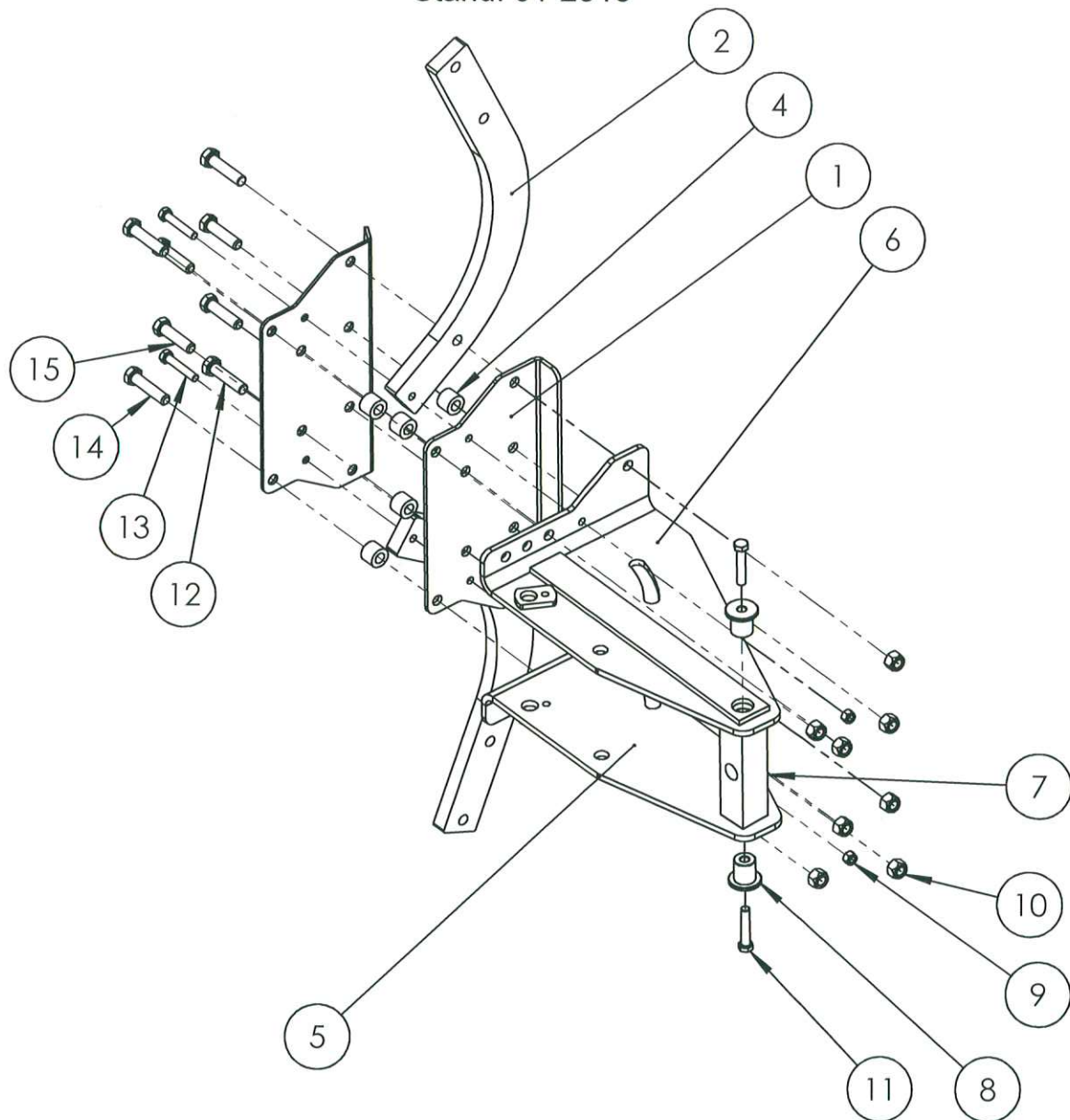
| Nr. | Id.-Nr. | Benennung | Discription | MENGE | Abmasse |
|-----|---------|--------------------------|-----------------|-------|------------------------|
| 1 | 409129 | Schwinge | rocker arm | 1 | |
| 2 | 409412c | Rahmen kpl. | bracket compl. | 1 | - |
| 3 | 409117a | Hauptbolzen | bolt | 1 | |
| 4 | 409506a | Hydr. Zylinder | hydr. cylinder | 1 | |
| 5 | 409802 | Gewindebolzen mit Mutter | bolt with nut | 1 | |
| 6 | 409135 | Bolzen Schwinge | bolt rocker arm | 1 | Ø50 x 133 |
| 7 | 409414 | Bolzen Zylinder | bolt cylinder | 1 | Ø26 x 170 |
| 8 | 409552 | Rohr | pipe | 1 | Ø38x3,2x60 DIN 2448 |
| 9 | 409145 | Anzeigerarm | pointer arm | 1 | |
| 10 | 409766 | Breitenblech | sheet metal | 2 | |
| 11 | 409767 | Anzeiger | indicator | 2 | |
| 12 | 409144 | Anzeigerarm | pointing arm | 1 | spiegelbildlich 409145 |
| 13 | 570265 | Schmiernippel | grease nipple | 2 | M8 x 1 H1/S |
| 14 | 510288 | Sechskantmutter | hex-head nut | 2 | M30x2 ISO 4032 8.8 |
| 15 | 409418 | Unterlegscheibe | washers | 1 | Ø36 x 66 x 5 DIN 125 |
| 16 | 510775 | Sechskantmutter | hex-head nut | 1 | M36x3 10.9 ISO 10511 |
| 17 | 409804 | Bolzen mit Lasche | bolt | 1 | |
| 18 | 409806 | Bolzen mit Lasche | bolt | 1 | |
| 19 | 531535 | Sicherungsring | circlip | 2 | Ø50x2,5 |



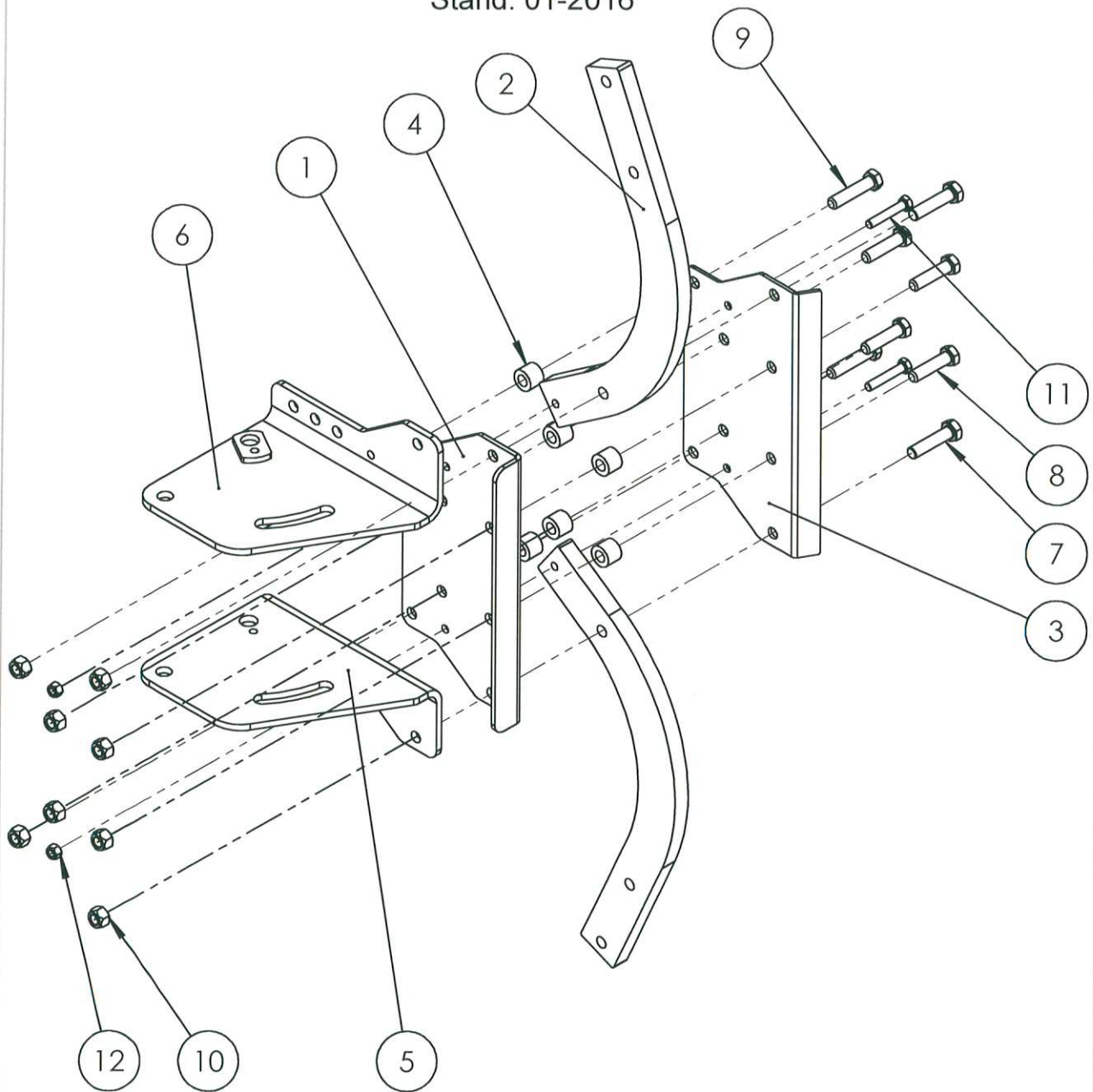
| Nr. | Id.-Nr. | Benennung | Discription | Menge | Abmasse |
|-----|---------|---------------------|---------------------|-------|------------------------|
| 1 | 409411c | Rahmen V | frame V | 1 | |
| 2 | 409084c | Halterung vorne | clamp | 1 | |
| 3 | 409005 | Führungsbuchse | bush | 10 | |
| 4 | 409014a | Schwenkbolzen | bolt | 5 | |
| 5 | 409013c | Halterung | clamp | 4 | |
| 6 | 409333b | Steuergestänge | steering rod | 1 | |
| 7 | 510452 | Scharspitze, rechts | Share, blade, right | 5 | M16 ISO 7042 |
| 8 | 501311 | Sechskantschraube | hex head screw | 5 | M16 x 280 DIN 931 10.9 |
| 9 | 570265 | Schmiernippel | grease nipple | 2 | M8 x 1 H1/S |
| 10 | 520176 | Scheibe | washer | 5 | Ø25 x 44 x 4 DIN 125 |
| 11 | 510526 | Sechskantmutter | hex-head nut | 5 | M24 ISO 7042 |
| 12 | 570920 | Kegelschmiernippel | grease nipple | 10 | M6x1 DIN 71412 |



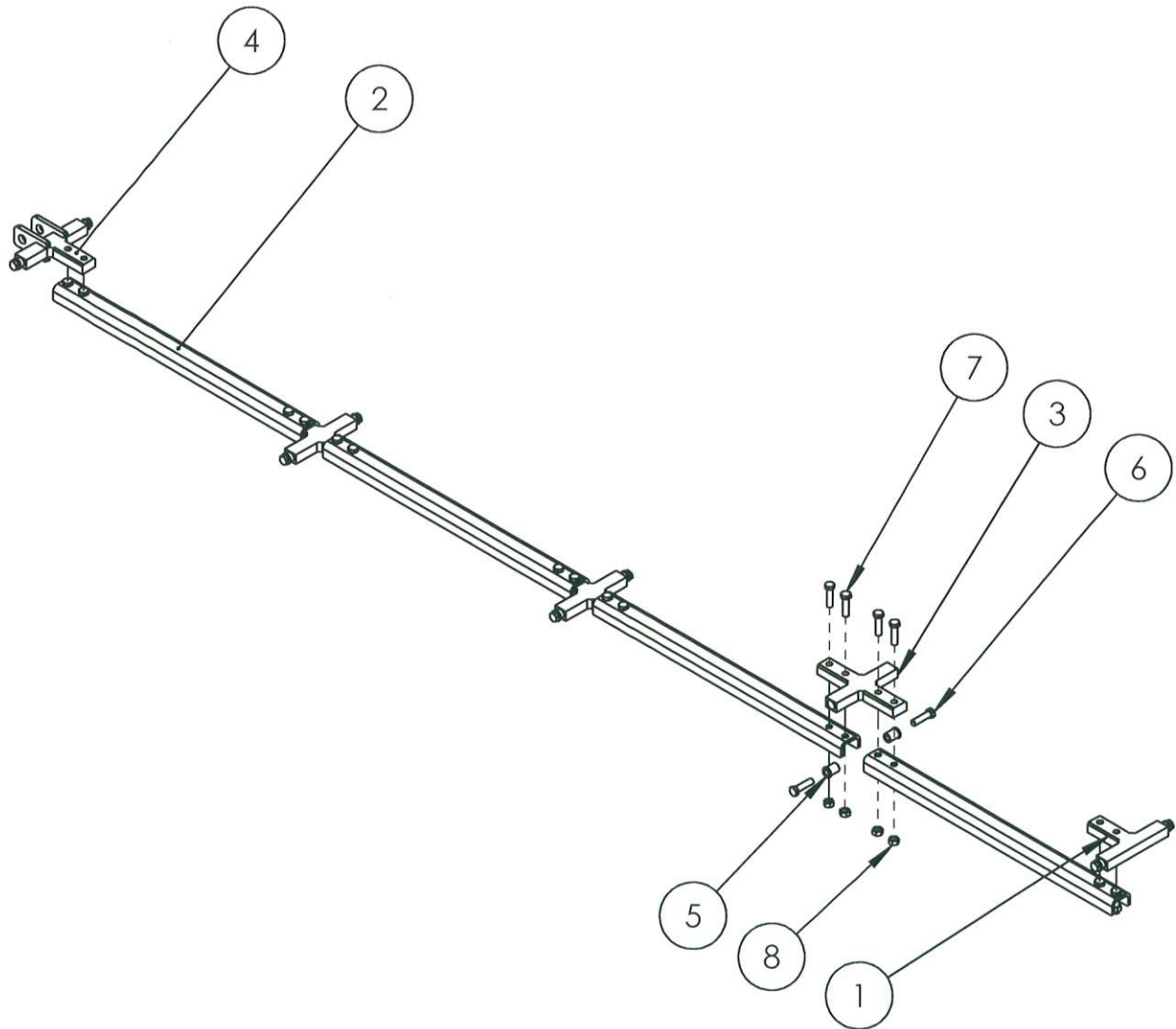
| Nr. | Id-Nr. | Benennung 1 | Benennung 2 | Menge | Abmasse |
|-----|---------|-------------------|------------------|-------|-----------------------|
| 1 | 409410c | Rahmen V | frame V | 1 | |
| 2 | 409715 | Deckel | cap | 1 | |
| 3 | 501310 | Sechskantschraube | hex head screw | 1 | M12 x 180 DIN 931 8.8 |
| 4 | 510517 | Sicherungsmutter | s-nut | 1 | M12 DIN 985 |
| 5 | 541820 | Gleitbuchse | slide bush | 2 | EG D55xD60x50 |
| 6 | 541703 | Einspannbuchse | clamp in bushing | 10 | EG D30x36x20 |



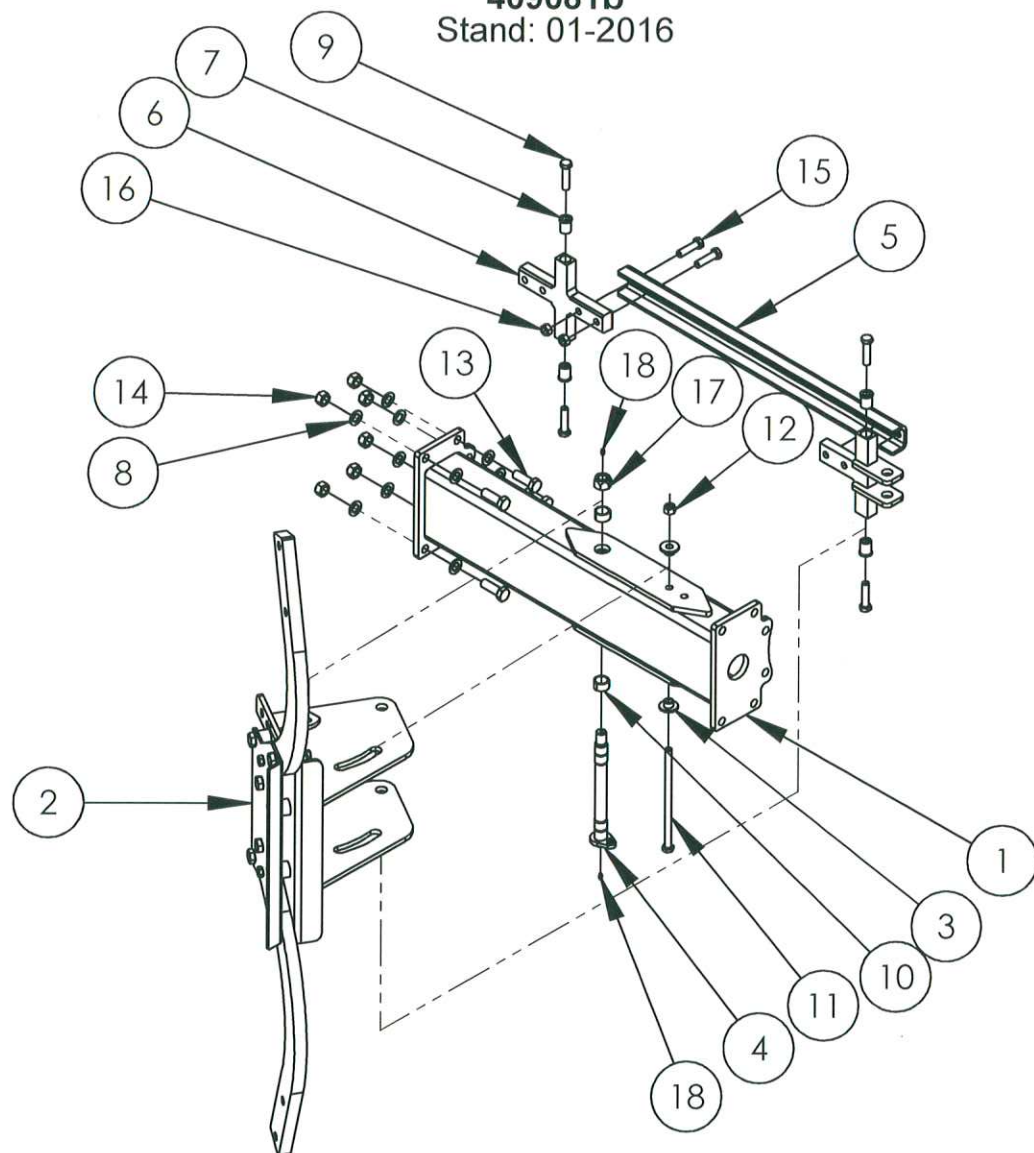
| Nr. | Id.-Nr. | Benennung | Description | Menge | Abmasse |
|-----|---------|---------------------|----------------|-------|----------------------|
| 1 | 409008c | Platte | plate | 1 | 520 x 350 x 10 |
| 2 | 409007a | Grindel | flat bar | 2 | |
| 3 | 409009c | Platte | plate | 1 | 520 x 350 x 10 |
| 4 | 409059a | Distanzhülse | spacer | 6 | |
| 5 | 409136 | Gliederträger unten | base support | 1 | |
| 6 | 409138 | Gliederträger oben | base support | 1 | |
| 7 | 409103 | Klotz | steel block | 1 | ⊙ 60 x 225,5 |
| 8 | 409511 | Hülse | bush | 2 | |
| 9 | 510464 | Sechskantmutter | hex. head nut | 2 | M14x1,5 ISO 7042 |
| 10 | 510453 | Sechskantmutter | hex-head nut | 8 | M20 ISO 7042 |
| 11 | 500515 | Sechskantschraube | hex-head screw | 2 | M16x80 ISO 4014 8.8 |
| 12 | 502889 | Sechskantschraube | hex head screw | 2 | M20x85 DIN 6914 10.9 |
| 13 | 501024 | Sechskantschraube | hex-head screw | 2 | M14x80 10.9 ISO 4014 |
| 14 | 500348 | Sechskantschraube | hex-head screw | 2 | M20x90 ISO 4014 10.9 |
| 15 | 500544 | Sechskantschrauben | hex-head screw | 4 | M20x80 ISO 4014 10.9 |



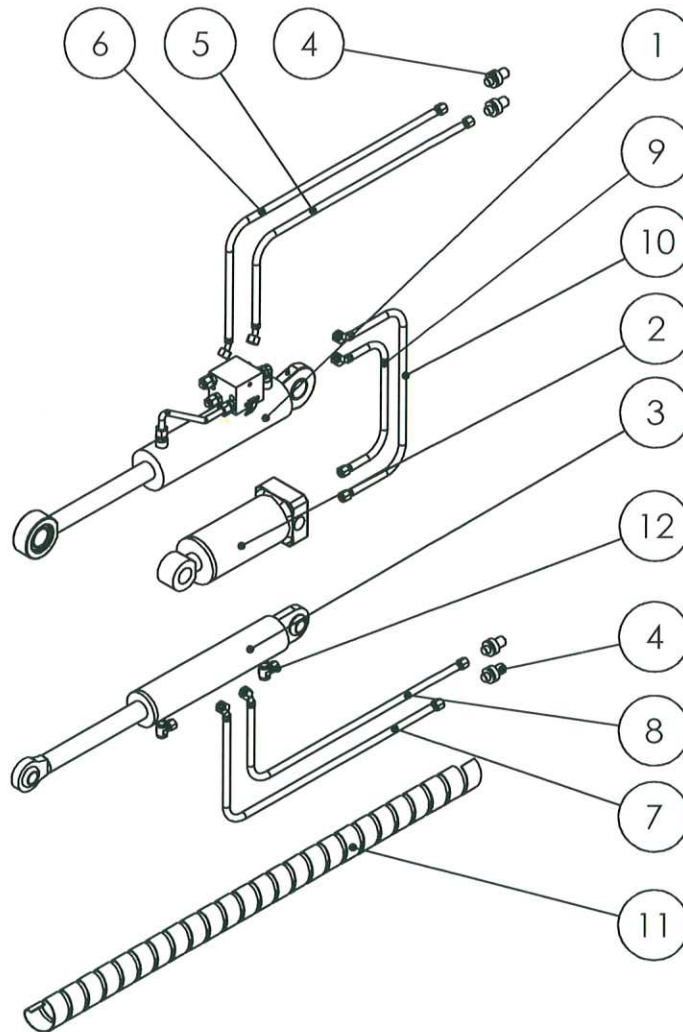
| Nr. | Id.-Nr. | Benennung | Description | Menge | Abmasse |
|-----|---------|---------------------|----------------|-------|----------------------|
| 1 | 409008c | Platte | plate | 1 | 520 x 350 x 10 |
| 2 | 409007a | Grindel | flat bar | 2 | |
| 3 | 409009c | Platte | plate | 1 | 520 x 350 x 10 |
| 4 | 409059a | Distanzhülse | spacer | 6 | |
| 5 | 409140 | Gliederträger oben | base support | 1 | |
| 6 | 409142 | Gliederträger unten | base support | 1 | |
| 7 | 502889 | Sechskantschraube | hex head screw | 2 | M20x85 DIN 6914 10.9 |
| 8 | 500544 | Sechskantschrauben | hex-head screw | 4 | M20x80 ISO 4014 10.9 |
| 9 | 500546 | Sechskantschraube | hex-head screw | 2 | M20x90 ISO 4014 10.9 |
| 10 | 510453 | Sechskantmutter | hex-head nut | 8 | M20 ISO 7042 |
| 11 | 501024 | Sechskantschraube | hex-head screw | 2 | M14x80 10.9 ISO 4014 |
| 12 | 510464 | Sechskantmutter | hex. head nut | 2 | M14x1,5 ISO 7042 |



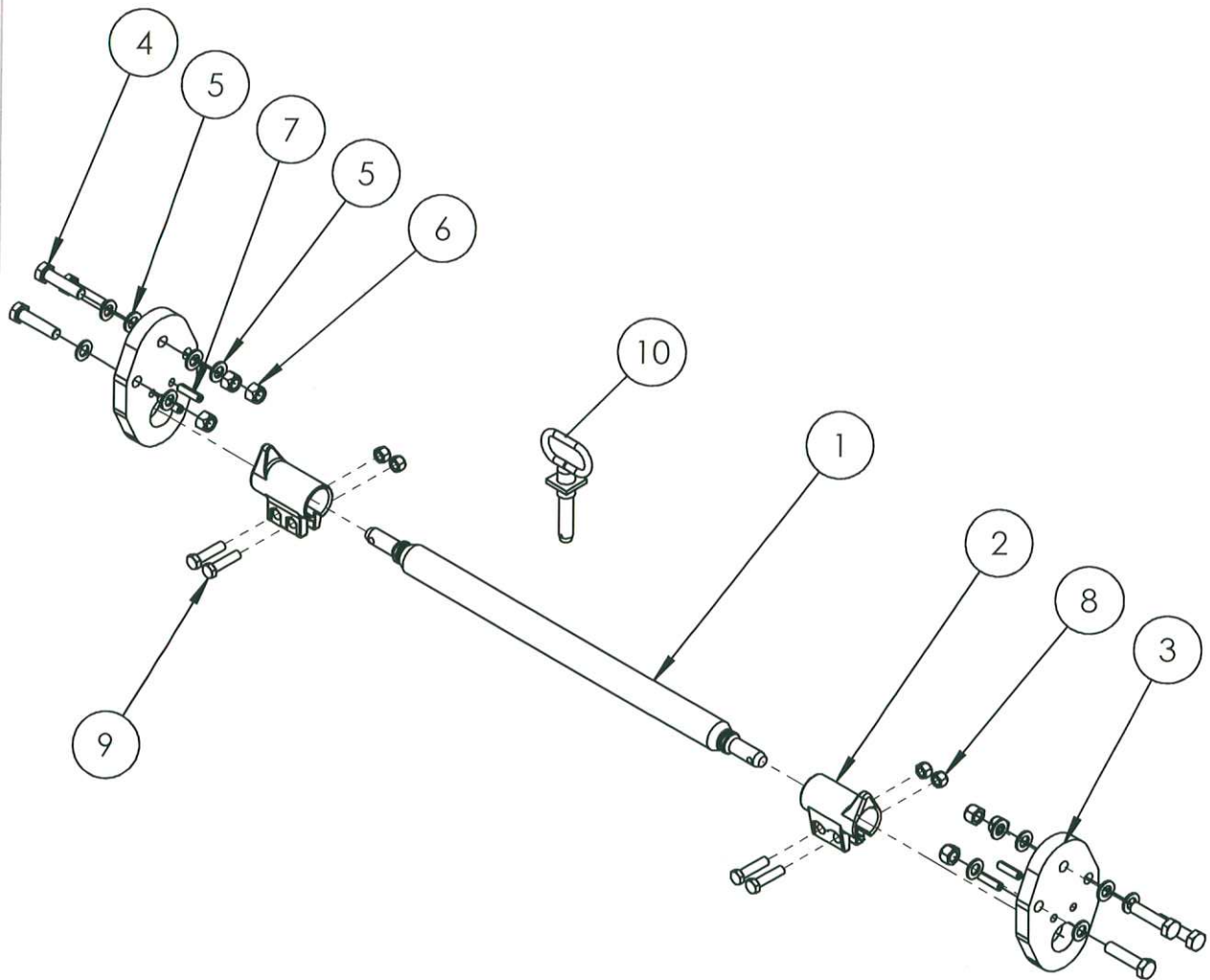
| Nr. | Id.-Nr. | Benennung | Discription | Menge | Abmasse |
|-----|---------|----------------------|----------------|-------|-----------------------|
| 1 | 409336b | T-Stück Steuerrohr | t-cross | 1 | |
| 2 | 409027a | Steuerrohr | steering pipe | 5 | |
| 3 | 409335b | X-Stück Steuerrohr | x-cross | 4 | |
| 4 | 409546b | Halterung Steuerrohr | bracket | 1 | |
| 5 | 409126 | Buchse mit Bund | bushing | 10 | Ø16 x Ø26 x 36 |
| 6 | 500512 | Sechskantschraube | hex head screw | 10 | M16x65 DIN931 10.9 |
| 7 | 500511 | Sechskantschrauben | hex-head screw | 16 | M16 x 60 8.8 ISO 4014 |
| 8 | 510236 | Sechskantmutter | hex-head nut | 16 | M16 DIN 934 |



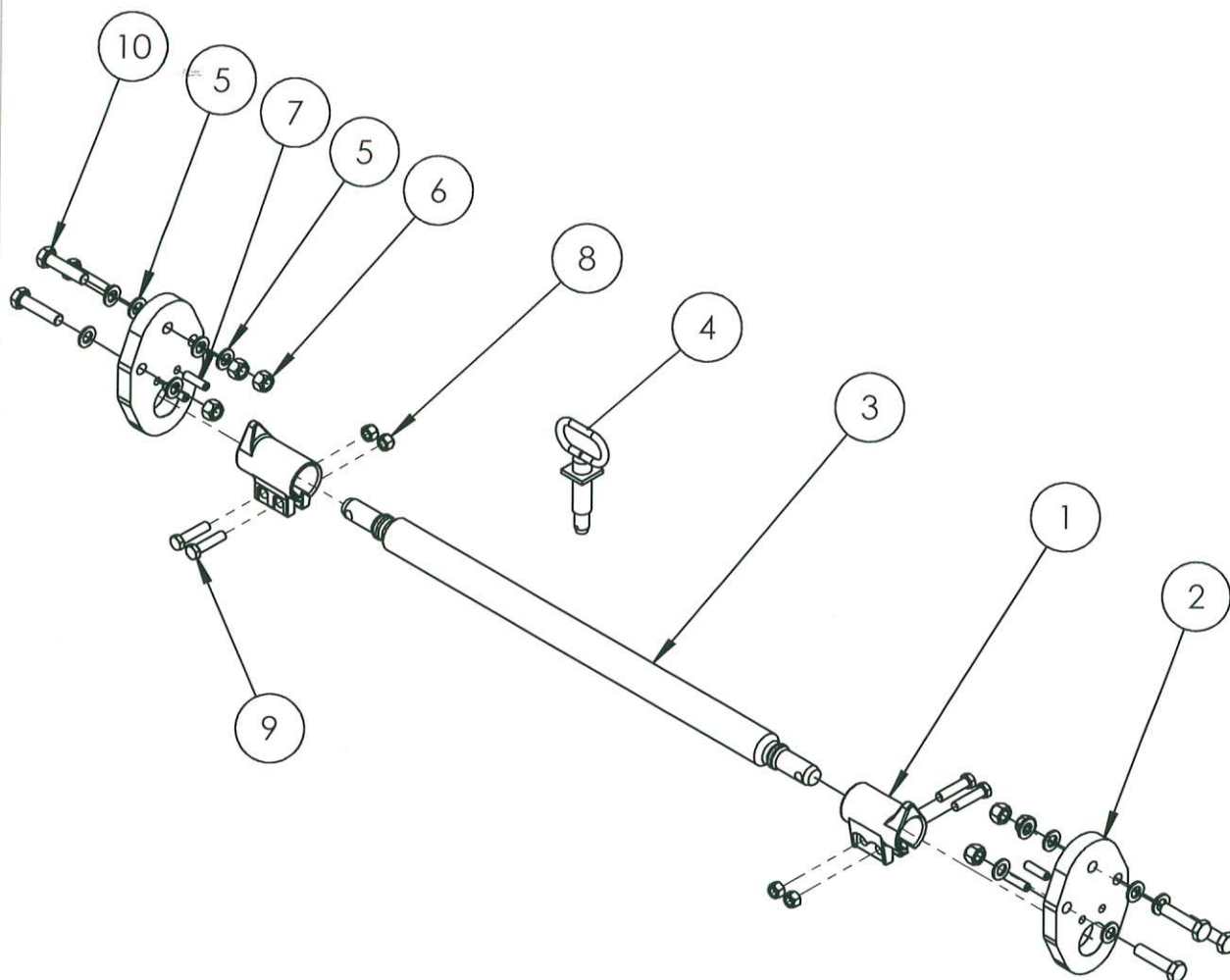
| Nr. | Id.-Nr. | Benennung | Description | Menge | Abmasse |
|-----|---------|---------------------|---------------------|-------|------------------------|
| 1 | 409082b | Segment | segment | 1 | |
| 2 | 409013c | Halterung | clamp | 1 | |
| 3 | 409005 | Führungsbuchse | bush | 2 | |
| 4 | 409014a | Schwenkbolzen | bolt | 1 | |
| 5 | 409027 | Steuerrohr | steering pipe | 1 | |
| 6 | 409335b | X-Stück Steuerrohr | x-cross | 1 | |
| 7 | 409126 | Buchse mit Bund | bushing | 4 | Ø16 x Ø26 x 36 |
| 8 | 520177 | Scheibe | washer | 12 | Ø25 x 44 x 4 DIN 125 |
| 9 | 500349 | Sechskantschraube | hex head screw | 2 | M16x65 DIN931 10.9 |
| 10 | 541703 | Einspannbuchse | clamp in bushing | 2 | EG D30x36x20 |
| 11 | 501311 | Sechskantschraube | hex head screw | 1 | M16 x 280 DIN 931 10.9 |
| 12 | 510452 | Scharspitze, rechts | Share, blade, right | 1 | M16 ISO 7042 |
| 13 | 500843 | Sechskantschraube | hex-head screw | 6 | M20x60 ISO 4017 |
| 14 | 510523 | Sechskantmutter | hex-head nut | 6 | M20 ISO 7040 |
| 15 | 500511 | Sechskantschrauben | hex-head screw | 2 | M16 x 60 8.8 ISO 4014 |
| 16 | 510236 | Sechskantmutter | hex-head nut | 2 | M16 DIN 934 |
| 17 | 510526 | Sechskantmutter | hex-head nut | 1 | M24 ISO 7042 |
| 18 | 570920 | Kegelschmiernippel | grease nipple | 2 | M6x1 DIN 71412 |



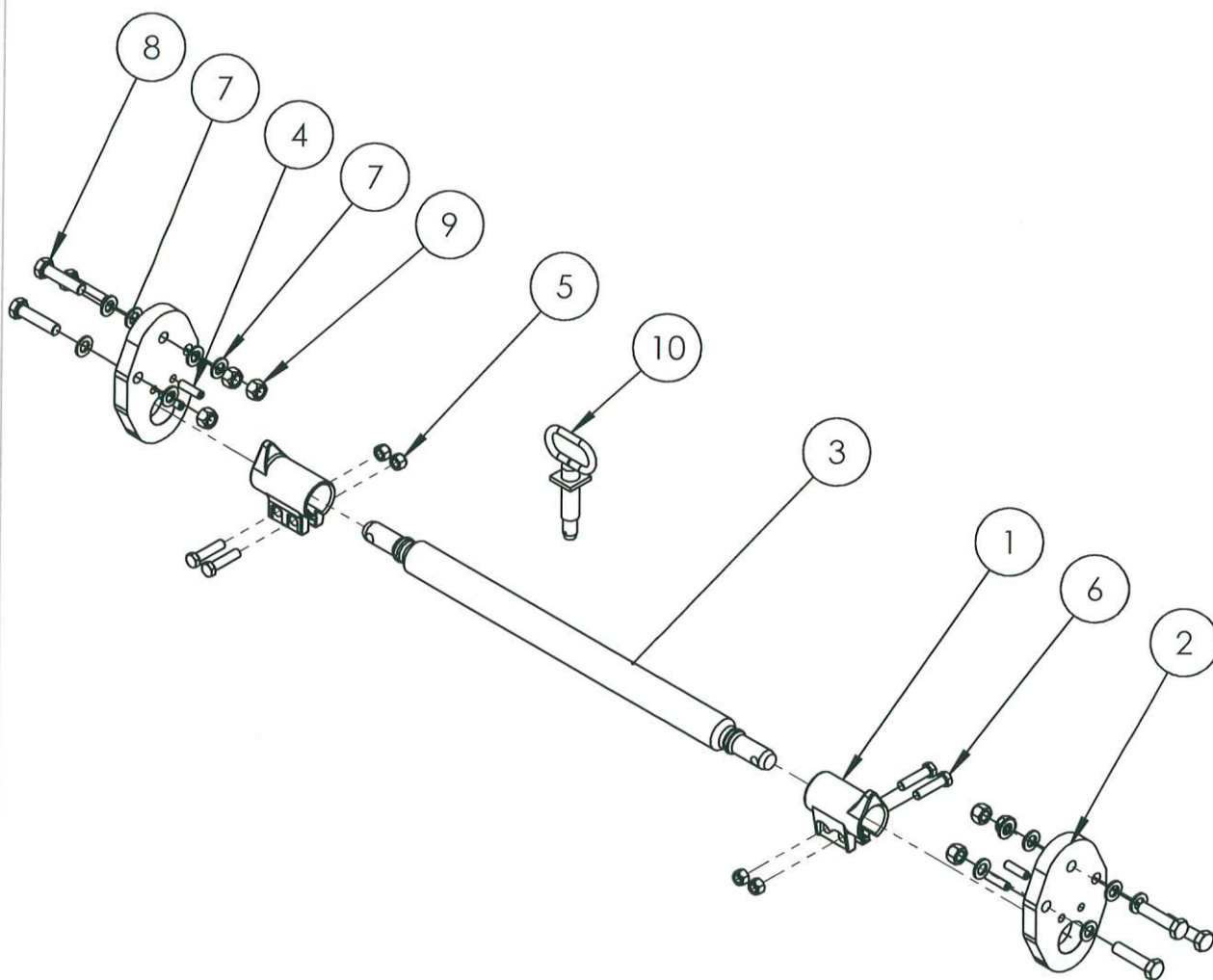
| Nr. | Id.-Nr. | Benennung | Description | Menge | Abmasse |
|-----|---------|--------------------------|-----------------------------|-------|-------------------------|
| 1 | 581106 | Hydraulikzylinder | hydr. cylinder | 1 | DZ-90-40-265-HPS-3A |
| 2 | 409310a | Rahmenschwenkzylinder | pivoting cylinder | 1 | |
| 3 | 409506a | Hydr. Zylinder | hydr. cylinder | 1 | |
| 4 | 580018 | Schnellkupplungs-Stecker | quick connector | 4 | Typ SKP-M |
| 5 | 580690 | hydr. Schlauch | hydr. pipe | 1 | SC 10x1350 DKOL/DKOL45° |
| 6 | 580690 | hydr. Schlauch | hydr. pipe | 1 | SC 10x1350 DKOL/DKOL45° |
| 7 | 580692 | hydr. Schlauch | hydr. pipe | 1 | SC 10x2400 DKOL/DKOL45° |
| 8 | 580692 | hydr. Schlauch | hydr. pipe | 1 | SC 10x2400 DKOL/DKOL45° |
| 9 | 580691 | hydr. Schlauch | hydr. pipe | 1 | SC 10x2150 DKOL/DKOL45° |
| 10 | 580691 | hydr. Schlauch | hydr. pipe | 1 | SC 10x2150 DKOL/DKOL45° |
| 11 | 580070 | Dynaflax-Flachwendel | Dynaflax-spiral coiled tube | 1 | 4m |
| 12 | 580371 | schwenkb. Winkelverschr. | screw fitting | 2 | |



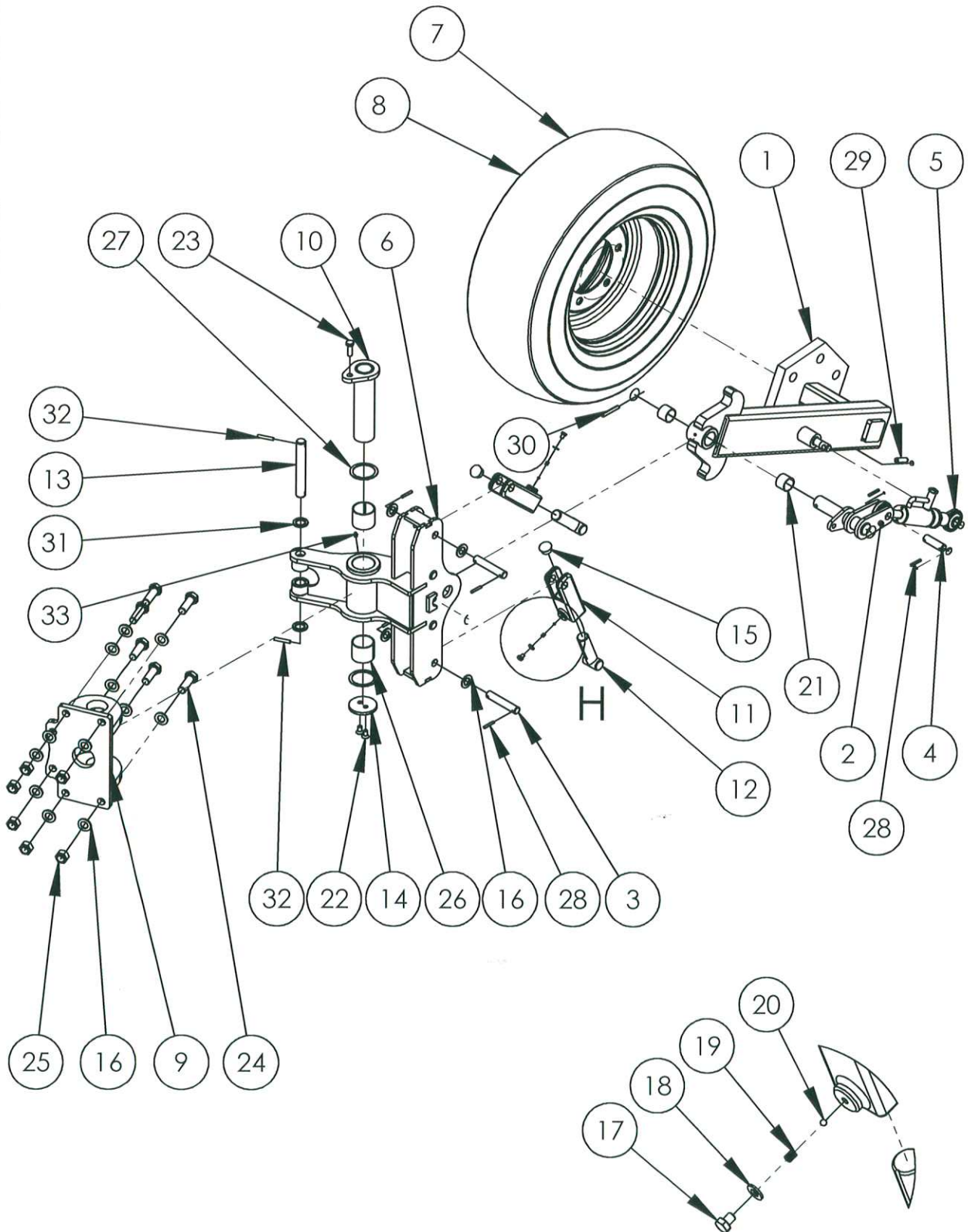
| Nr. | Id.-Nr. | Benennung | Discription | Menge | Abmasse |
|-----|---------|---------------------|---------------------|-------|----------------------|
| 1 | 033310 | Unterenkerachse | axle | 1 | Norm 2 DT2-1 |
| 2 | 033312 | Stellsegment | | 2 | DT2-1 |
| 3 | 407468a | Koppelplatte | connecting plate | 2 | |
| 4 | 502889 | Sechskantschraube | hex head screw | 6 | M20x85 DIN 6914 10.9 |
| 5 | 520150 | Scheibe | washer | 12 | 21x37x4 DIN 6916 |
| 6 | 510453 | Sechskantmutter | hex-head nut | 6 | M20 ISO 7042 |
| 7 | 530153 | Spannstift | spring pin | 4 | 14 x 50 DIN 1481 |
| 8 | 510452 | Scharspitze, rechts | Share, blade, right | 4 | M16 ISO 7042 |
| 9 | 500513 | Sechskantschraube | hex head screw | 4 | M16x65 ISO 4014 8.8 |
| 10 | 409558 | Bolzen K2 | bolt K2 | 1 | |



| Nr. | Id.-Nr. | Benennung | Discription | Menge | Abmasse |
|-----|---------|---------------------|---------------------|-------|----------------------|
| 1 | 033316 | Segment | segment | 2 | |
| 2 | 407561a | Koppelplatte | connecting plate | 2 | |
| 3 | 033317 | Achse | axle | 1 | N3 Abst. N2 |
| 4 | 409561 | Bolzen K3 | bolt K3 | 1 | |
| 5 | 520150 | Scheibe | washer | 12 | 21x37x4 DIN 6916 |
| 6 | 510453 | Sechskantmutter | hex-head nut | 6 | M20 ISO 7042 |
| 7 | 530153 | Spannstift | spring pin | 4 | 14 x 50 DIN 1481 |
| 8 | 510452 | Scharspitze, rechts | Share, blade, right | 4 | M16 ISO 7042 |
| 9 | 500513 | Sechskantschraube | hex head screw | 4 | M16x65 ISO 4014 8.8 |
| 10 | 502889 | Sechskantschraube | hex head screw | 6 | M20x85 DIN 6914 10.9 |



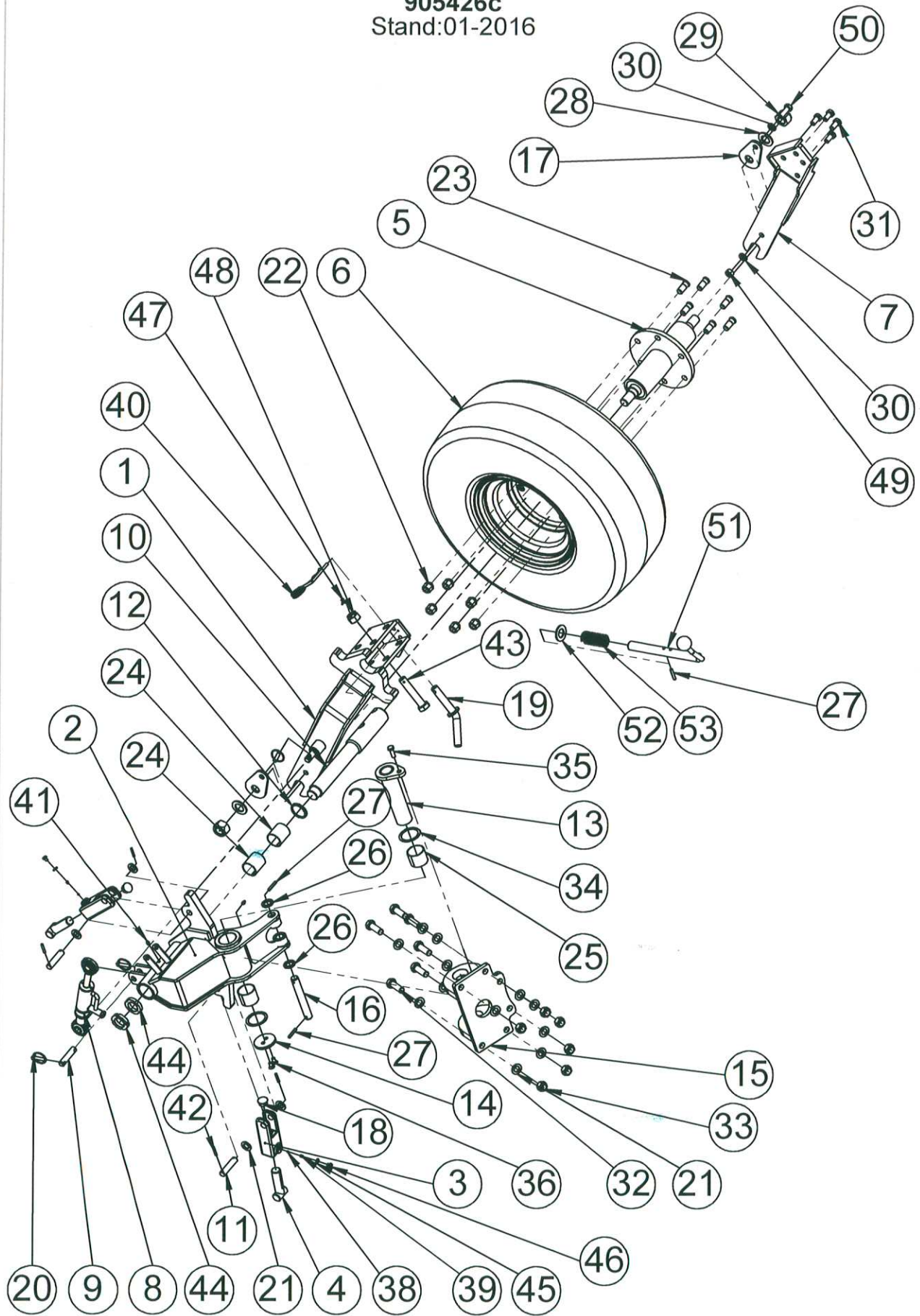
| Nr. | Id.-Nr. | Benennung | Discription | Menge | Abmasse |
|-----|---------|---------------------|---------------------|-------|----------------------|
| 1 | 033316 | Segment | segment | 2 | |
| 2 | 407561a | Koppelplatte | connecting plate | 2 | |
| 3 | 033390 | Achse | axle | 1 | |
| 4 | 530153 | Spannstift | spring pin | 4 | 14 x 50 DIN 1481 |
| 5 | 510452 | Scharspitze, rechts | Share, blade, right | 4 | M16 ISO 7042 |
| 6 | 500513 | Sechskantschraube | hex head screw | 4 | M16x65 ISO 4014 8.8 |
| 7 | 520150 | Scheibe | washer | 12 | 21x37x4 DIN 6916 |
| 8 | 502889 | Sechskantschraube | hex head screw | 6 | M20x85 DIN 6914 10.9 |
| 9 | 510453 | Sechskantmutter | hex-head nut | 6 | M20 ISO 7042 |
| 10 | 409561 | Bolzen K3 | bolt K3 | 1 | |



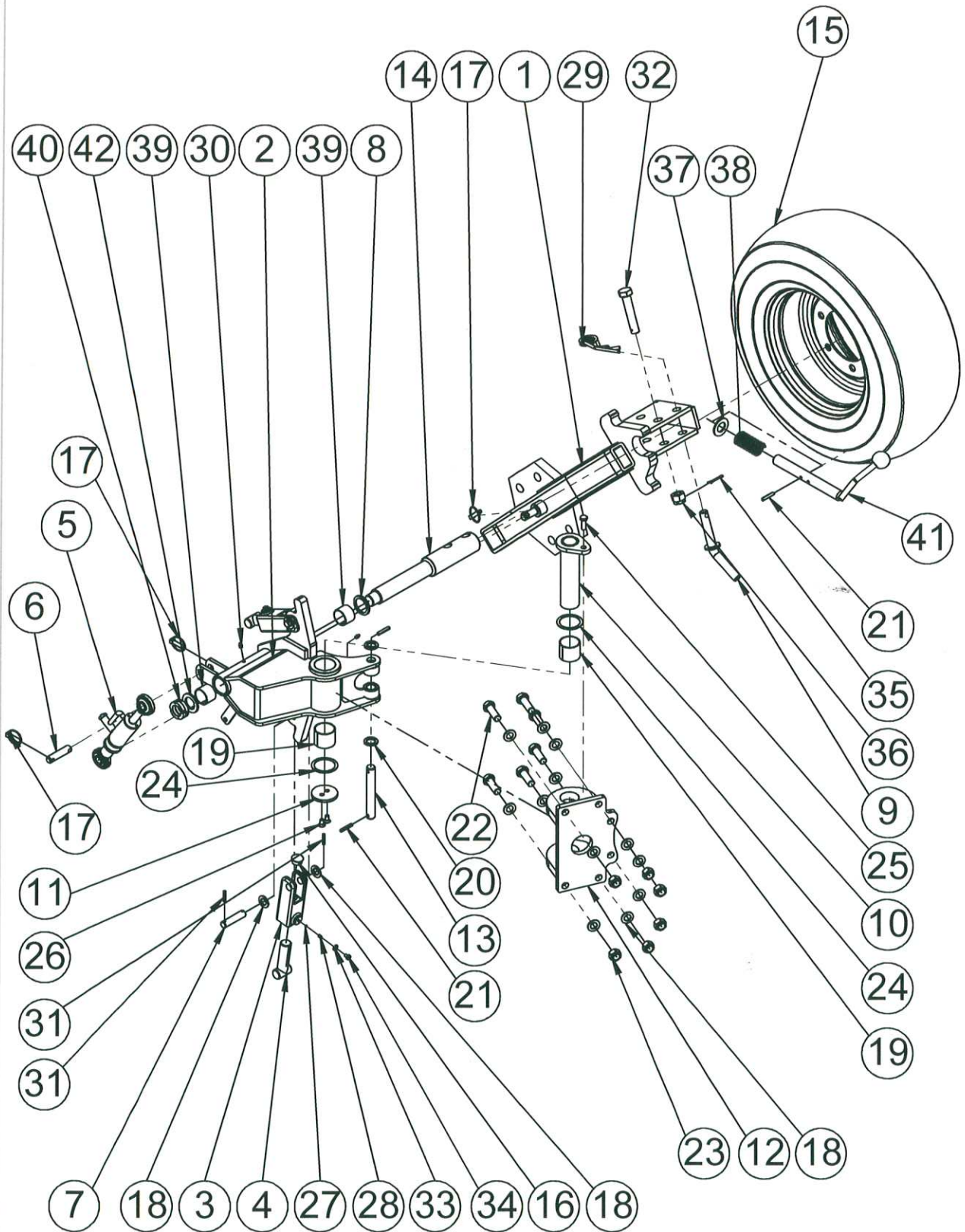
Rad Pos.-Nr. 8 (591141)-> AT 65
Rad Pos.-Nr. 7 (080169) -> AT 85

DETAIL H
MAßSTAB 1 : 5

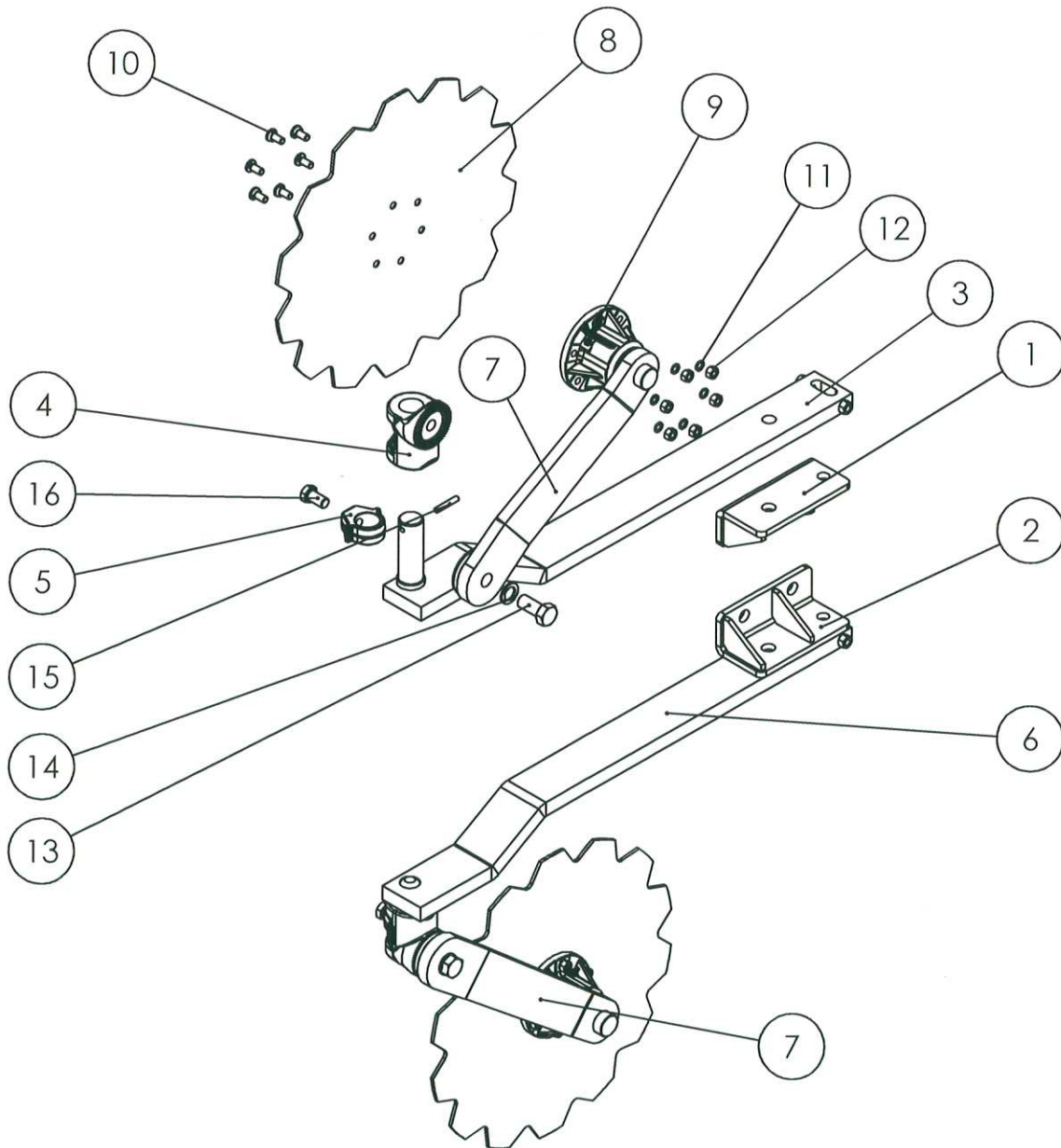
| Nr. | Id.-Nr. | Benennung | Discription | Menge | Abmasse |
|-----|---------|--------------------|-----------------------|-------|-----------------------|
| 1 | 080300c | Ausleger Stützrad | boom jockey wheel | 1 | |
| 2 | 080190c | Bolzen | bolt | 1 | |
| 3 | 080184a | Bolzen Klaue | bolt | 2 | |
| 4 | 080035a | Bolzen | bolt | 1 | |
| 5 | 409794 | Dämpfer | suspension cylinder | 1 | |
| 6 | 080303b | Pendelradhalter | support wheel bracket | 1 | |
| 7 | 080169 | Rad | wheel | 1 | AT85/11,5/80_15,3 |
| 8 | 591141 | Stützrad kompl. | support wheel | 1 | 10,0/75-15,3 |
| 9 | 409503c | Flansch Stützrad | flange support wheel | 1 | |
| 10 | 409510 | Bolzen Stützrad | bolt support wheel | 1 | Ø55 x 225 |
| 11 | 409748a | Klaue | claw | 2 | |
| 12 | 080172a | T-Stoessel | T-ram | 2 | |
| 13 | 409769 | Bolzen Zugstange | bolt | 1 | Ø25 x 117 |
| 14 | 409104 | Scheibe | washer | 1 | Ø75 x 8 |
| 15 | 409127 | Abdeckstopfen | plug | 2 | 28,6x34x15 F3 |
| 16 | 520177 | Scheibe | washer | 16 | Ø25 x 44 x 4 DIN 125 |
| 17 | 500740 | Sechskantschraube | hex head screw | 2 | M8x12 8.8 DIN 933 |
| 18 | 520029 | Scheibe | washer | 2 | DIN 125 ST 8 |
| 19 | 560387 | Druckfeder | pressure spring | 2 | |
| 20 | 541611 | Kugel | ball | 2 | |
| 21 | 541818 | Gleitbuchse | slide bush | 2 | EG Ø35xØ35x30 |
| 22 | 502514 | Senkschraube | countersink screw | 2 | M10x20 8.8 DIN 7991 |
| 23 | 500913 | Sechskantschrauben | hex-head screw | 1 | M12 x 35 8.8 ISO 4017 |
| 24 | 500843 | Sechskantschraube | hex-head screw | 6 | M20x60 ISO 4017 |
| 25 | 510523 | Sechskantmutter | hex-head nut | 6 | M20 ISO 7040 |
| 26 | 541820 | Gleitbuchse | slide bush | 2 | EG D55xD60x50 |
| 27 | 520374 | Passscheibe | shim | 2 | Ø60x75x2 DIN 988 |
| 28 | 530208 | Spannstift | roll pin | 6 | 6 x 35 vz DIN 1481 |
| 29 | 530130 | Spannstift | locking pin | 1 | 12x40 DIN 1481 |
| 30 | 530200 | Spannstift | locking pin | 1 | 8x60 DIN1481 |
| 31 | 520184 | Scheibe | washer | 2 | Ø26x40x4 DIN 1441 |
| 32 | 530146 | Spannstift | spring pin | 2 | Ø8x45 DIN 1481 |
| 33 | 570265 | Schmiernippel | grease nipple | 1 | M8 x 1 H1/S |



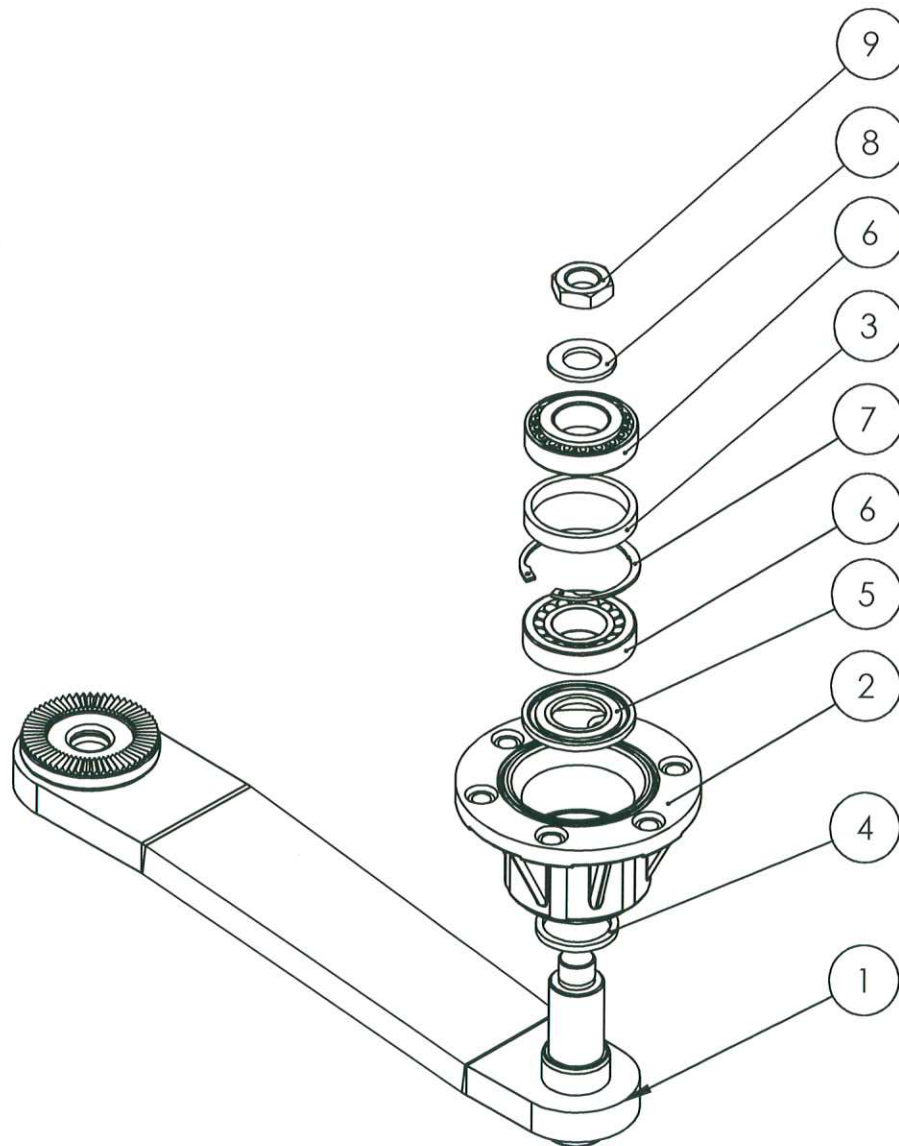
| Nr. | Id.-Nr. | Benennung | Description | Menge | Abmasse |
|-----|---------|-------------------------------------|-----------------------|-------|-----------------------|
| 1 | 409739c | Ausleger Stuetzrad AT | bracket sup. wheel AT | 1 | |
| 2 | 409740a | Konsole Stuetzrad AT | console sup. wheel AT | 1 | |
| 3 | 409748a | Klaue | claw | 2 | |
| 4 | 080172a | T-Stoessel | T-ram | 2 | |
| 5 | 409540 | Achse Stützrad | axis support wheel | 1 | |
| 6 | 080169 | Rad | wheel | 1 | AT85/11,5/80_15,3 |
| 7 | 409746a | Schwingenarm | rocker arm | 1 | |
| 8 | 409794 | Dämpfer | suspension cylinder | 1 | |
| 9 | 409789a | Bolzen | bolt | 1 | |
| 10 | 409742 | Welle AT | shaft AT | 1 | |
| 11 | 080147a | Bolzen | bolt | 2 | |
| 12 | 409513 | Stuetzring | support ring | 1 | |
| 13 | 409510 | Bolzen Stützrad | bolt support wheel | 1 | Ø55 x 225 |
| 14 | 409104 | Scheibe | washer | 1 | Ø75 x 8 |
| 15 | 409503c | Flansch Stützrad | flange support wheel | 1 | |
| 16 | 409769 | Bolzen Zugstange | bolt | 1 | Ø25 x 117 |
| 17 | 409828 | Sicherungslasche | retaining strap | 2 | |
| 18 | 409127 | Abdeckstopfen | plug | 2 | 28,6x34x15 F3 |
| 19 | 409568 | Bolzen A&T Rad | bolt AT | 1 | |
| 20 | 570250 | Klappsplint D10 | cotter pin | 3 | Ø10 DIN 11023 |
| 21 | 520177 | Scheibe | washer | 16 | Ø25 x 44 x 4 DIN 125 |
| 22 | 510724 | Kugelbundmutter M20x1,5 | collar nut | 6 | M20x1,5 DIN 74361 A |
| 23 | 409796 | Radbolzen M20x1,5 | tyre bolt | 6 | M20x1,5 |
| 24 | 541815 | Gleitbuchse | slide bush | 2 | EG Ø50xØ55x60 |
| 25 | 541820 | Gleitbuchse | slide bush | 2 | EG D55xD60x50 |
| 26 | 520184 | Scheibe | washer | 2 | Ø26x40x4 DIN 1441 |
| 27 | 530146 | Spannstift | spring pin | 3 | Ø8x45 DIN 1481 |
| 28 | 520222 | Scheibe | plain washer | 2 | 17,5x30x3 DIN 126 |
| 29 | 510647 | SKT Mutter | hex head nut | 2 | M30 ISO 7042 |
| 30 | 520112 | Scheibe | plain washer | 8 | 17,5x30x3 DIN 126 |
| 31 | 500818 | Sechskantschraube | hex head screw | 4 | M16x30 ISO 4017 |
| 32 | 500843 | Sechskantschraube | hex-head screw | 6 | M20x60 ISO 4017 |
| 33 | 510523 | Sechskantmutter | hex-head nut | 6 | M20 ISO 7040 |
| 34 | 520374 | Passscheibe | shim | 2 | Ø60x75x2 DIN 988 |
| 35 | 500913 | Sechskantschrauben | hex-head screw | 1 | M12 x 35 8.8 ISO 4017 |
| 36 | 502514 | Senkschraube | countersink screw | 2 | M10x20 8.8 DIN 7991 |
| 38 | 541611 | Kugel | ball | 2 | |
| 39 | 560387 | Druckfeder | pressure spring | 2 | |
| 40 | 570230 | Sicherungssplint D8 | split pin | 1 | Ø8 DIN 11024 |
| 41 | 570265 | Schmiernippel | grease nipple | 2 | M8 x 1 H1/S |
| 42 | 530208 | Spannstift | roll pin | 4 | 6 x 35 vz DIN 1481 |
| 43 | 500864 | Sechskantschraube | hex head screw | 1 | M24x130 8.8 DIN 931 |
| 44 | 510737 | Nutmutter | groove nut | 2 | M40x1,5 DIN 1804 |
| 45 | 520029 | Scheibe | washer | 2 | DIN 125 ST 8 |
| 46 | 500740 | Sechskantschraube | hex head screw | 2 | M8x12 8.8 DIN 933 |
| 47 | 530345 | Splint | pin | 1 | 5x40 DIN 94 |
| 48 | 510639 | Kronenmutter | crown nut | 1 | M24 DIN 935 |
| 49 | 510235 | Sechskantmutter | hex head nut | 2 | M16 DIN 555 |
| 50 | 500836 | Sechskantschraube M16x45 DIN 933 VZ | hex head screw | 2 | M16x45 DIN 933 VZ |
| 51 | 009562b | Sperrbolzen | bolt | 1 | |
| 52 | 520215 | Scheibe | washer | 1 | M30 DIN 125 |
| 53 | 560320 | Feder | spring | 1 | 95x38x5 |



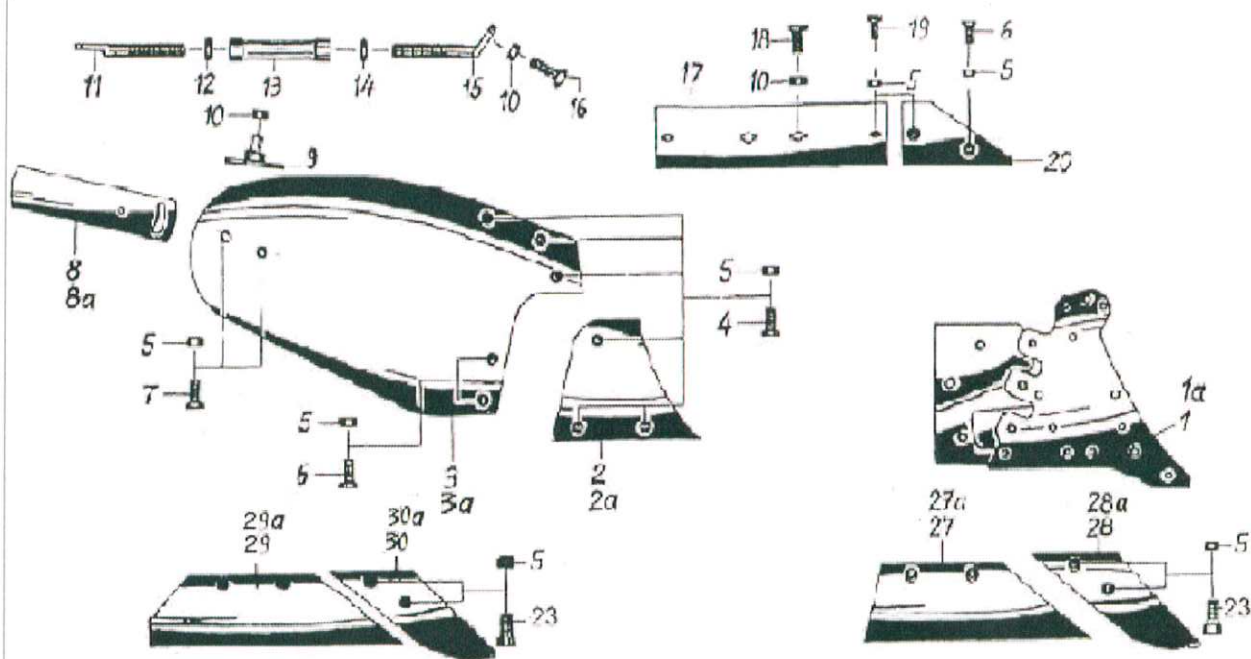
| Nr. | Id.-Nr. | Benennung | Discription | Menge | Abmasse |
|-----|---------|-----------------------|-----------------------|-------|------------------------|
| 1 | 705114 | Ausleger Stuetzrad AT | bracket sup. wheel AT | 1 | |
| 2 | 705106a | Konsole Stuetzrad AT | support wheel AT | 1 | |
| 3 | 409748a | Klaue | claw | 2 | |
| 4 | 080172a | T-Stoessel | T-ram | 2 | |
| 5 | 409794 | Dämpfer | suspension cylinder | 1 | |
| 6 | 409789a | Bolzen | bolt | 1 | |
| 7 | 080147a | Bolzen | bolt | 2 | |
| 8 | 705191 | Stützring | support ring | 1 | |
| 9 | 409568 | Bolzen A&T Rad | bolt AT | 1 | |
| 10 | 409510 | Bolzen Stützrad | bolt support wheel | 1 | Ø55 x 225 |
| 11 | 409104 | Scheibe | washer | 1 | Ø75 x 8 |
| 12 | 409503c | Flansch Stützrad | flange support wheel | 1 | |
| 13 | 409769 | Bolzen Zugstange | bolt | 1 | Ø25 x 117 |
| 14 | 705196 | Welle A&T-Rad | shaft A&T-Rad | 1 | |
| 15 | 591141 | Stützrad kompl. | support wheel | 1 | 10,0/75-15,3 |
| 16 | 409127 | Abdeckstopfen | plug | 2 | 28,6x34x15 F3 |
| 17 | 570250 | Klappsplint D10 | cotter pin | 3 | Ø10 DIN 11023 |
| 18 | 520177 | Scheibe | washer | 16 | Ø25 x 44 x 4 DIN 125 |
| 19 | 541820 | Gleitbuchse | slide bush | 2 | EG D55xD60x50 |
| 20 | 520184 | Scheibe | washer | 2 | Ø26x40x4 DIN 1441 |
| 21 | 530146 | Spannstift | spring pin | 3 | Ø8x45 DIN 1481 |
| 22 | 500843 | Sechskantschraube | hex-head screw | 6 | M20x60 ISO 4017 |
| 23 | 510523 | Sechskantmutter | hex-head nut | 6 | M20 ISO 7040 |
| 24 | 520374 | Passscheibe | shim | 2 | Ø60x75x2 DIN 988 |
| 25 | 500913 | Sechskantschrauben | hex-head screw | 1 | M12 x 35 8.8 ISO 4017 |
| 26 | 502514 | Senkschraube | countersink screw | 2 | M10x20 8.8 DIN 7991 |
| 27 | 541611 | Kugel | ball | 2 | |
| 28 | 560387 | Druckfeder | pressure spring | 2 | |
| 29 | 570230 | Sicherungssplint D8 | split pin | 1 | Ø8 DIN 11024 |
| 30 | 570265 | Schmiernippel | grease nipple | 2 | M8 x 1 H1/S |
| 31 | 530208 | Spannstift | roll pin | 4 | 6 x 35 vz DIN 1481 |
| 32 | 500864 | Sechskantschraube | hex head screw | 1 | M24x130 8.8 DIN 931 |
| 33 | 520029 | Scheibe | washer | 2 | DIN 125 ST 8 |
| 34 | 500740 | Sechskantschraube | hex head screw | 2 | M8x12 8.8 DIN 933 |
| 35 | 530345 | Splint | pin | 1 | 5x40 DIN 94 |
| 36 | 510639 | Kronenmutter | crown nut | 1 | M24 DIN 935 |
| 37 | 520215 | Scheibe | washer | 1 | M30 DIN 125 |
| 38 | 560320 | Feder | spring | 1 | 95x38x5 |
| 39 | 541736 | Buchse | bush | 2 | Ø45 x 50 x 35 DIN 1498 |
| 40 | 510738 | Nutmutter | | 2 | M35x1,5 DIN 1804 |
| 41 | 009678b | Sperrbolzen | bolt | 1 | |
| 42 | 705197 | Scheibe | sheet metal | 1 | |



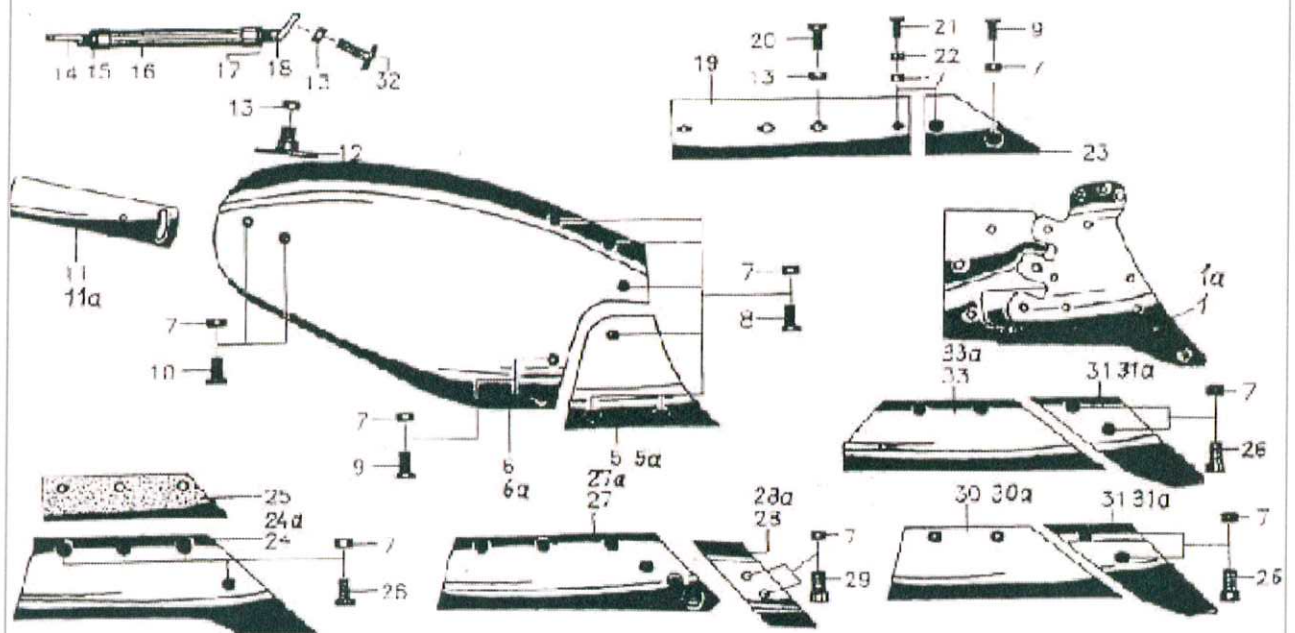
| Nr. | Id.-Nr. | Benennung | Discription | Menge | Abmasse |
|-----|---------|----------------------------|------------------------|-------|-----------------------|
| 1 | 409791 | Haltewinkel links | angle | 1 | |
| 2 | 409812 | Haltewinkel geschw. rechts | angle weld. | 1 | |
| 3 | 026350a | Sechhalter rechts geschw. | Support right weld. | 1 | |
| 4 | 409810 | Schwingarmhalter | Arm support | 2 | |
| 5 | 080051 | Klemmstück | support | 2 | |
| 6 | 026351a | Sechhalter links geschw. | support left weld. | 1 | |
| 7 | 904108a | Scheibensech | - | 2 | |
| 8 | 600711 | Sech Ø500 | plow | 2 | |
| 9 | 570265 | Schmiernippel | grease nipple | 2 | M8 x 1 H1/S |
| 10 | 502479 | Senkschraube | countersunk-head screw | 12 | M10x30 10.9 DIN 11014 |
| 11 | 520577 | Sicherungsscheibe | retaining washer | 12 | Schnorr VS10 |
| 12 | 510231 | Sechskantmutter | hex head nut | 12 | M10 DIN 934 8.8 |
| 13 | 500841 | Sechskantschraube | hex head screw | 2 | M20x45 8.8 DIN 931 |
| 14 | 520584 | Sicherungsring | washer | 2 | VS 20 (Schnorr) |
| 15 | 530095 | Spannstift | spring pin | 2 | Ø8 x 45 DIN 1481 |
| 16 | 500818 | Sechskantschraube | hex head screw | 2 | M16x30 ISO 4017 |



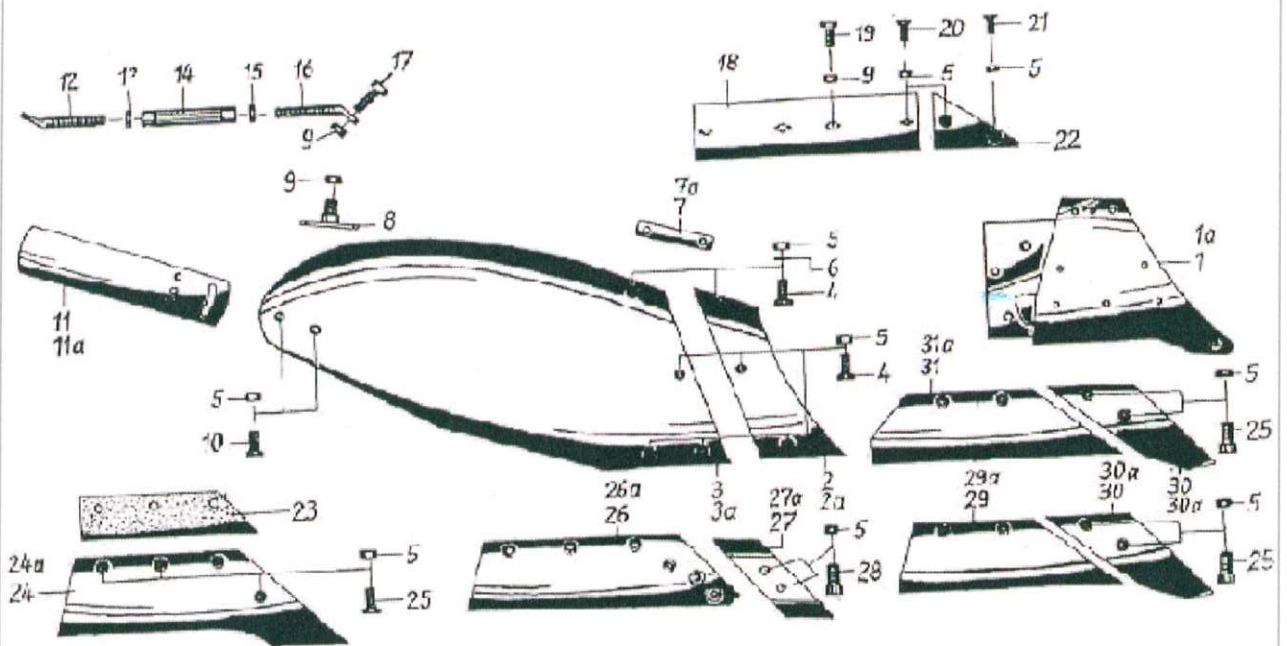
| Nr. | Id.-Nr. | Benennung | Discription | Menge | Abmasse |
|-----|---------|------------------------------|----------------------|-------|---------------|
| 1 | 026269a | Secharm kompl. | Sech arm compl. | 1 | |
| 2 | 026204 | Flanschlager | flange | 1 | |
| 3 | 026121 | Distanzring | spacer ring | 1 | |
| 4 | 550790 | Poly.-Ring 37x45x4 | ring | 1 | 37x45x4 |
| 5 | 550431 | Nilosring 30x62 LSTO | Nilso ring | 1 | 30x62 LSTO |
| 6 | 541004 | Kegelrollenlager 30206 A | taper roller bearing | 2 | 30206 A |
| 7 | 531640 | Sicherungsring J62x2 DIN 472 | circlip | 1 | J62x2 DIN 472 |
| 8 | 520147 | U-Scheibe | washer | 1 | 21x37x3 |
| 9 | 510363 | Sechskantmutter | hex head nut | 1 | M20 ISO 4035 |



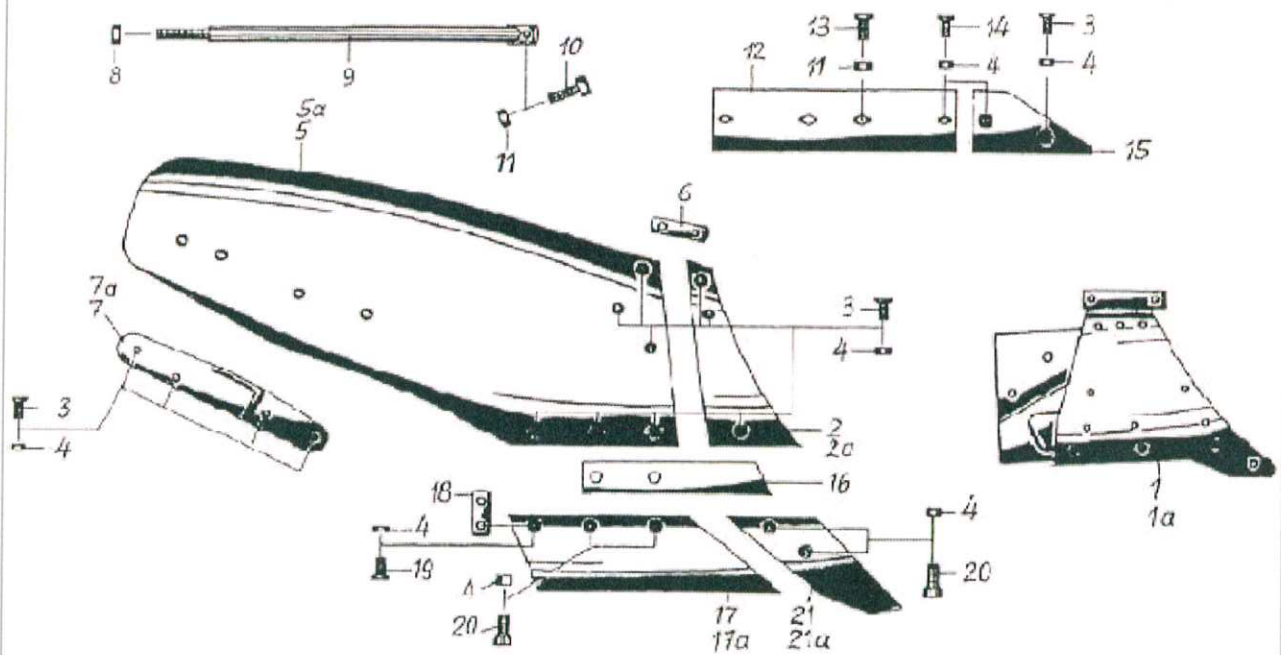
| Nr. | Id.-Nr. | Benennung | Discription | Menge | Abmasse |
|-----|---------|------------------------|----------------------|-------|------------------------|
| 1 | 024074 | Rumpf, rechts | Frog | 1 | |
| 1a | 024073 | Rumpf, links | Frog | 1 | |
| 2 | 024080 | Vorderteil, rechts | Front section, right | 1 | |
| 2a | 024081 | Vorderteil, links | Front section, left | 1 | |
| 3 | 024078 | Streichblech, rechts | Mouldboard, rechts | 1 | |
| 3a | 024079 | Streichblech, links | Mouldboard, left | 1 | |
| 4 | 502510 | Sechskantmutter | Hex. nut | 6 | M 12 DIN 934 10 |
| 5 | 510230 | Senkschraube | Countersunk bolt | 16 | M 12x30 10.9 |
| 6 | 502511 | Senkschraube | Countersunk bolt | 3 | M 12x35 10.9 |
| 7 | 510512 | Senkschraube | Countersunk bolt | 2 | M 12x40 10.9 |
| 8 | 024082 | Streichschiene, rechts | Tail piece, right | 1 | |
| 8a | 024083 | Streichschiene, links | Tail piece, left | 1 | |
| 9 | 200673 | Lasche | tongue | 1 | |
| 10 | 510453 | Sechskantmutter | Hex. nut | 3 | M 16 DIN 980 8 |
| 11 | 024086 | Schraube | Bolt | 1 | |
| 12 | 510317 | Sechskantmutter | Hex. nut | 1 | M 24 DIN 936 8.8 |
| 13 | 024085 | Spannhülse | Tension pin | 1 | |
| 14 | 510318 | Sechskantmutter | Hex. nut | 1 | M 24 DIN 936 8.8 |
| 15 | 024087 | Schraube | Bolt | 1 | |
| 16 | 500823 | Anlage | Heel | 1 | M 16x45 DIN 933 8.8 |
| 17 | 024072 | Senkschraube | Bolt | 1 | |
| 18 | 502053 | Senkschraube | Bolt | 1 | M 12x45 10.9 |
| 19 | 502513 | Distanzstück | Spacer | 1 | M 12x45 10.9 |
| 20 | 024004 | Distanzstück | Spacer | 1 | |
| 23 | 502496 | Senkschraube | Countersunk bolt | 3 | M 12x35 DIN 11014 10.9 |
| 27 | 024102 | Schar, rechts | Share, right | 1 | 467,9 mm x 145 mm |
| 27a | 024103 | Schar, links | Share, left | 1 | 467,9 mm x 145 mm |
| 28 | 200678 | Scharspitze, rechts | Share, blade, right | 1 | |
| 28a | 200679 | Scharspitze, links | Share, blade, left | 1 | |
| 29 | 024106 | Schar, rechts | Share, right | 1 | 521,52 mm x 145 mm |
| 29a | 024107 | Schar, links | Share, left | 1 | 521,52 mm x 145 mm |
| 30 | 200678 | Scharspitze, rechts | Share, blade, right | 1 | |
| 30a | 200679 | Scharspitze, links | Share, blade, left | 1 | |



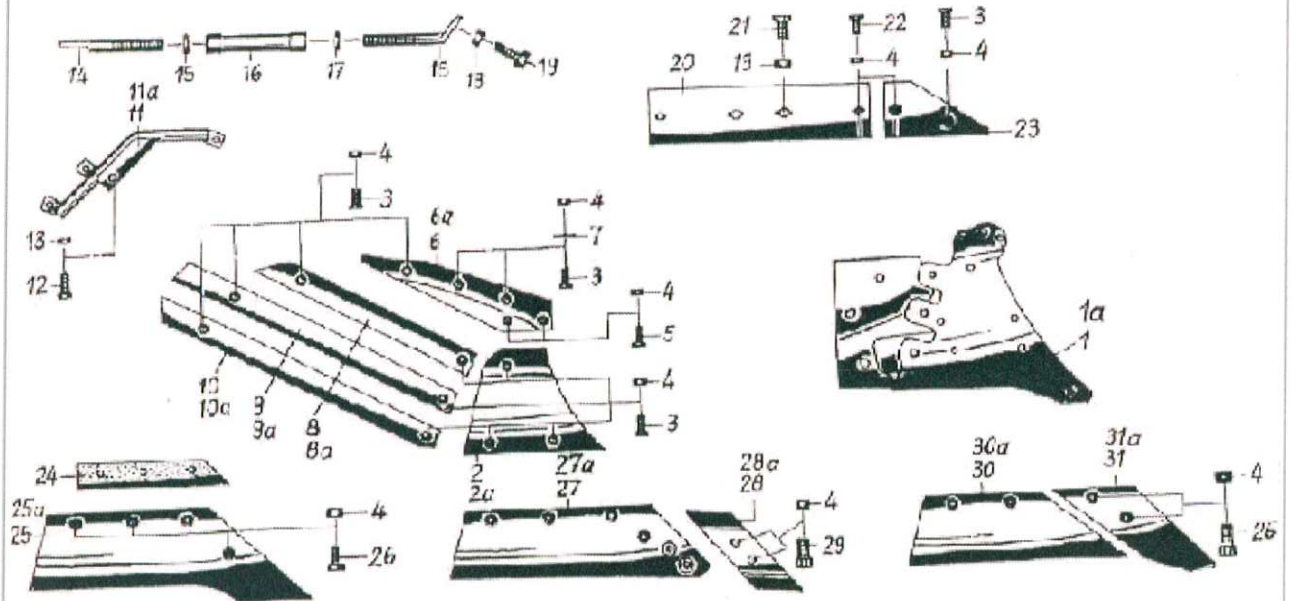
| Nr. | Id.-Nr. | Benennung | Discription | Menge | Abmasse |
|-----|---------|-----------------------------|------------------------|-------|------------------------|
| 1 | 024074 | Rumpf, rechts | Frog | 1 | |
| 1a | 024073 | Rumpf, links | Frog | 1 | |
| 5 | 024080 | Vorderteil, rechts | Front section, right | 1 | |
| 5a | 204080 | Vorderteil, links | Front section, left | 1 | |
| 6 | 024090 | Streichblech, rechts | Mouldboard, rechts | 1 | |
| 6a | 024090 | Streichblech, links | Mouldboard, left | 1 | |
| 7 | 510230 | Sechskantmutter | Hex. nut | 6 | M 12 DIN 934 10 |
| 8 | 502510 | Senkschraube | Countersunk bolt | 15 | M 12x30 10.9 |
| 9 | 502511 | Senkschraube | Countersunk bolt | 3 | M 12x35 10.9 |
| 10 | 510512 | Senkschraube | Countersunk bolt | 2 | M 12x40 10.9 |
| 11 | 024082 | Streichschiene, rechts | Tail piece, right | 1 | |
| 11a | 024083 | Streichschiene, links | Tail piece, left | 1 | |
| 12 | 200673 | Lasche | tongue | 1 | |
| 13 | 510451 | Sechskantmutter | Hex. nut | 3 | M 12 DIN 980 8 |
| 14 | 024086 | Schraube | Bolt | 1 | |
| 15 | 510317 | Sechskantmutter | Hex. nut | 1 | M 24 DIN 936 8.8 |
| 16 | 024097 | Spannhülse | Tension pin | 1 | |
| 17 | 510318 | Sechskantmutter | Hex. nut | 1 | M 24 DIN 936 8.8 |
| 18 | 024087 | Schraube | Bolt | 1 | |
| 19 | 024072 | Anlage | Heel | 1 | |
| 20 | 502053 | Senkschraube | Bolt | 1 | M 16x40 DIN 604 8.8 |
| 21 | 502513 | Senkschraube | Bolt | 1 | M 12x45 10.9 |
| 22 | 024101 | Distanzstück | Spacer | 1 | |
| 23 | 024004 | Füllstück | Spacer | 1 | |
| 24 | 023432 | Schar, rechts | Share, right | 1 | |
| 24a | 023431 | Schar, links | Share, left | 1 | |
| 25 | 600537 | Zwischenlage | Wedge | 1 | |
| 26 | 502496 | Senkschraube | Countersunk bolt | 2 | M 12x35 DIN 11014 10.9 |
| 27 | 200626 | Wechselspitzenschar, rechts | Bar point share, right | 1 | |
| 27a | 200625 | Wechselspitzenschar, links | Bar point share, left | 1 | |
| 28 | 024104 | Wechselspitze, rechts | Bar point, right | 1 | |
| 28a | 024105 | Wechselspitze, links | Bar point, left | 1 | |
| 29 | 502500 | Senkschraube | Countersunk bolt | 1 | M 12x32 10.9 |
| 30 | 024102 | Schar, rechts | Share, right | 1 | |
| 30a | 024103 | Schar, links | Share, left | 1 | |
| 31 | 200678 | Scharspitze, rechts | Share, blade, right | 1 | |
| 31a | 200679 | Scharspitze, links | Share, blade, left | 1 | |
| 32 | 502739 | Flachrundschrabe | Panhead bolt | 1 | |
| 33 | 024106 | Schar, rechts | Share, right | 1 | |
| 33a | 024107 | Schar, links | Share, left | 1 | |



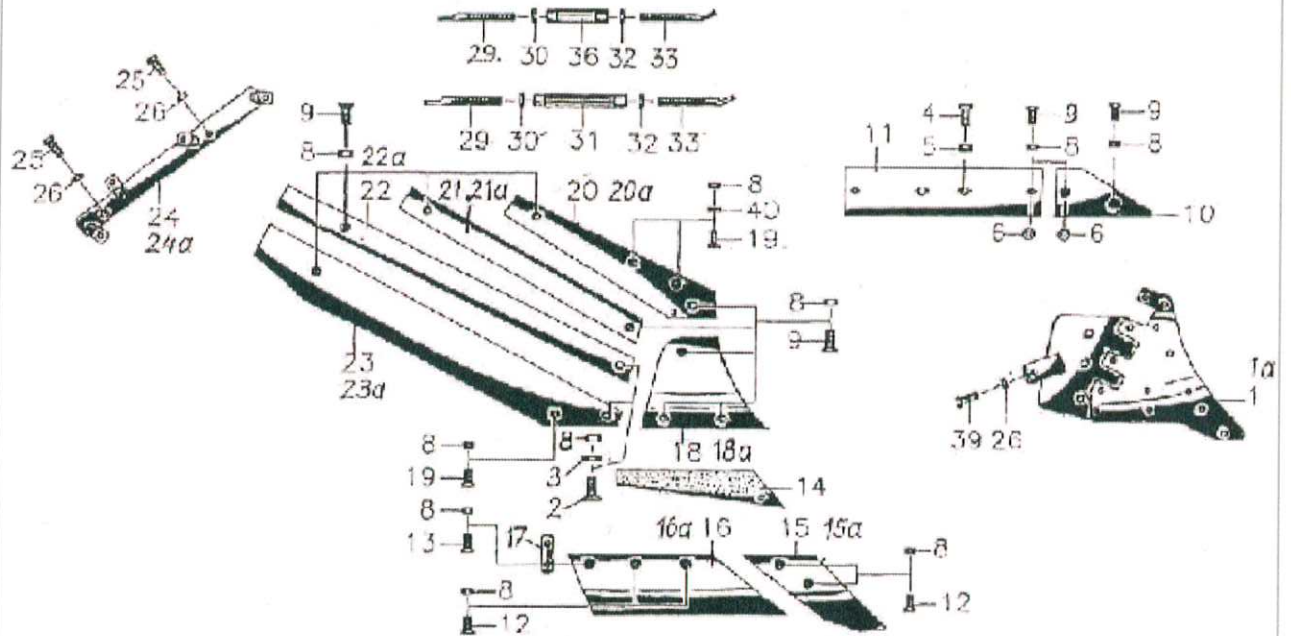
| Pos. | Id.-Nr. | Benennung | Description | Menge | Abmasse |
|------|---------|-----------------------------|------------------------|-------|------------------------|
| 1 | 024012 | Rumpf, rechts | Frog, right | 1 | |
| 1a | 024011 | Rumpf, links | Frog, left | 1 | |
| 2 | 023436 | Vorderteil, rechts | Front section, right | 1 | |
| 2a | 023437 | Vorderteil, links | Front section, left | 1 | |
| 3 | 200052 | Streichblech, rechts | Mouldboard, right | 1 | |
| 3a | 200053 | Streichblech, links | Mouldboard, left | 1 | |
| 4 | 502510 | Senkschraube | Countersunk bolt | 7 | M 12x30 10.9 |
| 5 | 510230 | Sechskantmutter | Hex. nut | 22 | M 12 DIN 934 10 |
| 6 | 520075 | Scheibe | Washer | 2 | 13/25 x 3 DIN 1441 |
| 7 | 020744 | Lasche, rechts | Tounge, right | 1 | |
| 7a | 020743 | Lasche, links | Tounge, left | 1 | |
| 8 | 020673 | Lasche | Tounge | 1 | |
| 9 | 510452 | Sechskantmutter | Hex. nut | 3 | M 16 DIN 980 8 |
| 10 | 502512 | Senkschraube | Countersunk bolt | 2 | M 12x40 10.9 |
| 11 | 200054 | Streichschiene, rechts | Tail piece | 1 | |
| 11a | 200055 | Streichschiene, links | Tail piece | 1 | |
| 12 | 024053 | Schraube | Bolt | 1 | M24L |
| 13 | 510318 | Sechskantmutter | Hex. nut | 1 | M24 DIN 936 8.8 |
| 14 | 024052 | Spannschloß | Turnbuckle | 1 | |
| 15 | 510317 | Sechskantmutter | Hex. nut | 1 | M 24 DIN 936 8 |
| 16 | 024054 | Schraube | Bolt | 1 | M 24 |
| 17 | 500823 | Sechskantschraube | Hex. bolt | 1 | M 16x45 DIN 933 8.8 |
| 18 | 024072 | Anlage | Heel | 1 | |
| 19 | 502053 | Senkschraube | Countersunk bolt | 1 | M 16x40 DIN 604 8.8 |
| 20 | 502513 | Senkschraube | Countersunk bolt | 1 | M 12x45 10.9 |
| 21 | 502511 | Senkschraube | Countersunk bolt | 2 | M 12x35 10.9 |
| 22 | 024013 | Füllstück | Filling piece | 1 | |
| 23 | 600448 | Zwischenlage | Wedge | 1 | 55x2, 2x320 |
| 24 | 023432 | Schar, rechts | Share, right | 1 | |
| 24a | 023431 | Schar, links | Share, left | 1 | |
| 25 | 502496 | Senkschraube | Countersunk bolt | 8 | M 12x35 DIN 11014 10.9 |
| 26 | 200626 | Wechselspitzenschar, rechts | Bar point share, right | 1 | |
| 26a | 200625 | Wechselspitzenschar, links | Bar point share, left | 1 | |
| 27 | 024104 | Wechselspitze, rechts | Bar point, right | 1 | |
| 27a | 024105 | Wechselspitze, links | Bar point, left | 1 | |
| 28 | 502500 | Senkschraube | Countersunk bolt | 2 | M 12x32 10.9 |
| 29 | 024102 | Schar, rechts | Share, right | 1 | |
| 29a | 024103 | Schar, links | Share, left | 1 | |
| 30 | 200678 | Scharspitze, rechts | Share, blade, right | 1 | |
| 30a | 200679 | Scharspitze, links | Share, blade, right | 1 | |
| 31 | 204106 | Schar, rechts | Share, right | 1 | |
| 31a | 204107 | Schar, links | Share, left | 1 | |



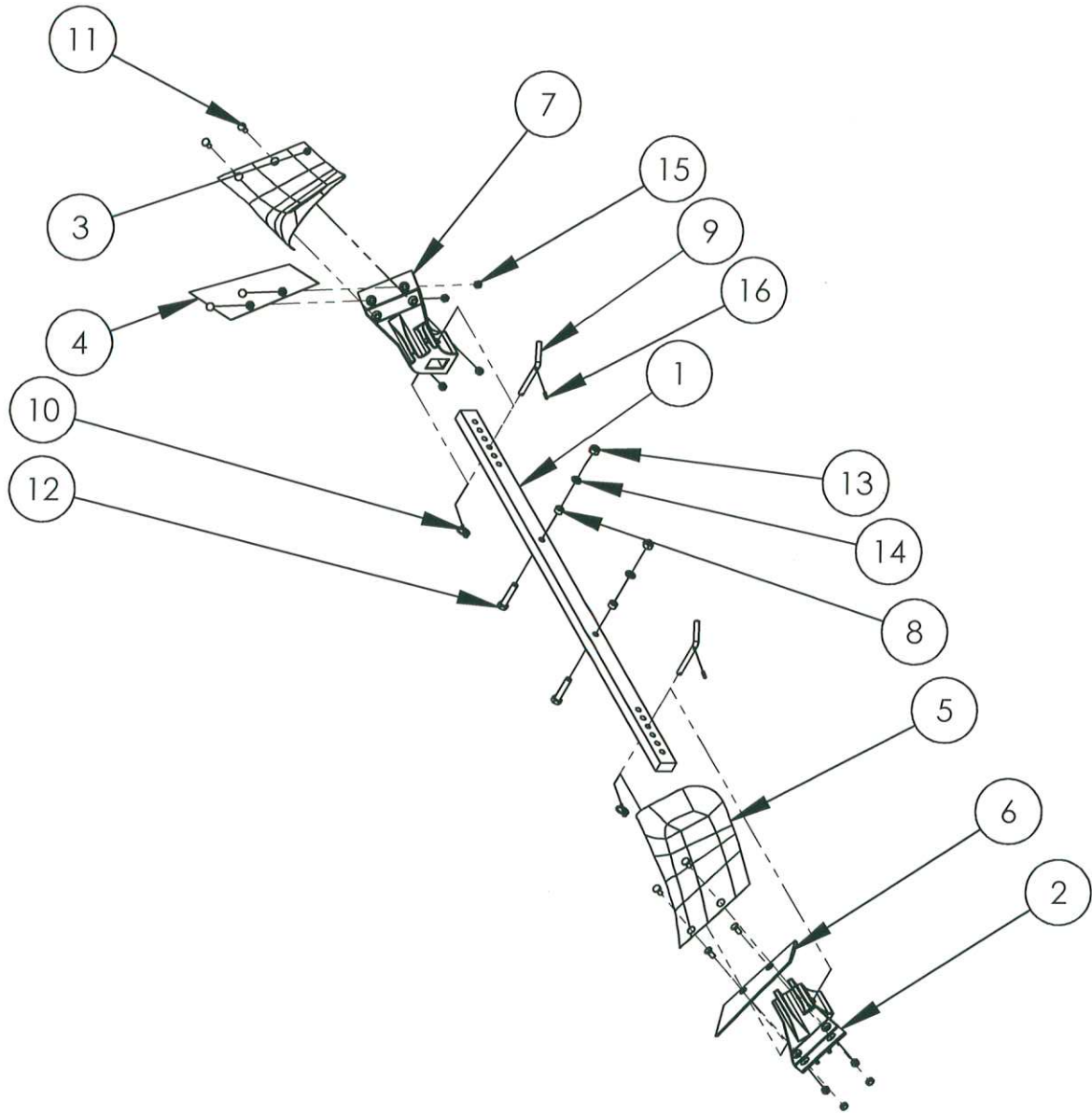
| Pos. | Id.-Nr. | Benennung | Description | Menge | Abmasse |
|------|---------|----------------------|----------------------|-------|------------------------|
| 1 | 024118 | Rumpf, rechts | Frog, right | 1 | |
| 1a | 024119 | Rumpf, links | Frog, left | 1 | |
| 2 | 024114 | Vorderteil, rechts | Front section, right | 1 | |
| 2a | 024113 | Vorderteil, links | Front section, left | 1 | |
| 3 | 502511 | Senkschraube | Countersunk bolt | 14 | M 12x35 10.9 |
| 4 | 510230 | Sechskantmutter | Hex. nut | 21 | M12 DIN 934 10 |
| 5 | 024112 | Streichblech, rechts | Mouldboard, right | 1 | |
| 5a | 024111 | Streichblech, links | Mouldboard, left | 1 | |
| 6 | 024120 | Lasche | Tounge | 1 | |
| 7 | 024116 | Anschluß, rechts | Connection, right | 1 | |
| 7a | 024117 | Anschluß, links | Connection, left | 1 | |
| 8 | 510453 | Sechskantmutter | Hex. nut | 1 | M 20 DIN 980 8 |
| 9 | 024115 | Strebe | Strut | 1 | |
| 10 | 500823 | Sechskantschraube | Hex. bolt | 1 | M 16x40 DIN 933 8.8 |
| 11 | 510235 | Sechskantmutter | Hex. nut | 1 | M 16 DIN 934 8 |
| 12 | 024072 | Anlage | Heel | 1 | |
| 13 | 502053 | Senkschraube | Countersunk bolt | 1 | M 16x40 DIN 604 8.8 |
| 14 | 502513 | Senkschraube | Countersunk bolt | 2 | M 12x45 10.9 |
| 15 | 024013 | Füllstück | Filling piece | 1 | |
| 16 | 600448 | Zwischenlage | Wedge | 1 | 55x2, 2x320 |
| 17 | 024122 | Scharblatt, rechts | Share, right | 1 | |
| 17a | 024121 | Scharblatt, links | Share, left | 1 | |
| 18 | 024123 | Lasche | Tounge | 1 | |
| 19 | 502495 | Senkschraube | Countersunk bolt | 1 | M 12x30 DIN 11014 10.9 |
| 20 | 502496 | Senkschraube | Countersunk bolt | 4 | M 12x35 DIN 11014 10.9 |
| 21 | 200678 | Scharpitze, rechts | Share, blade, right | 1 | |
| 21a | 200679 | Scharspitze, links | Share, blade, right | 1 | |



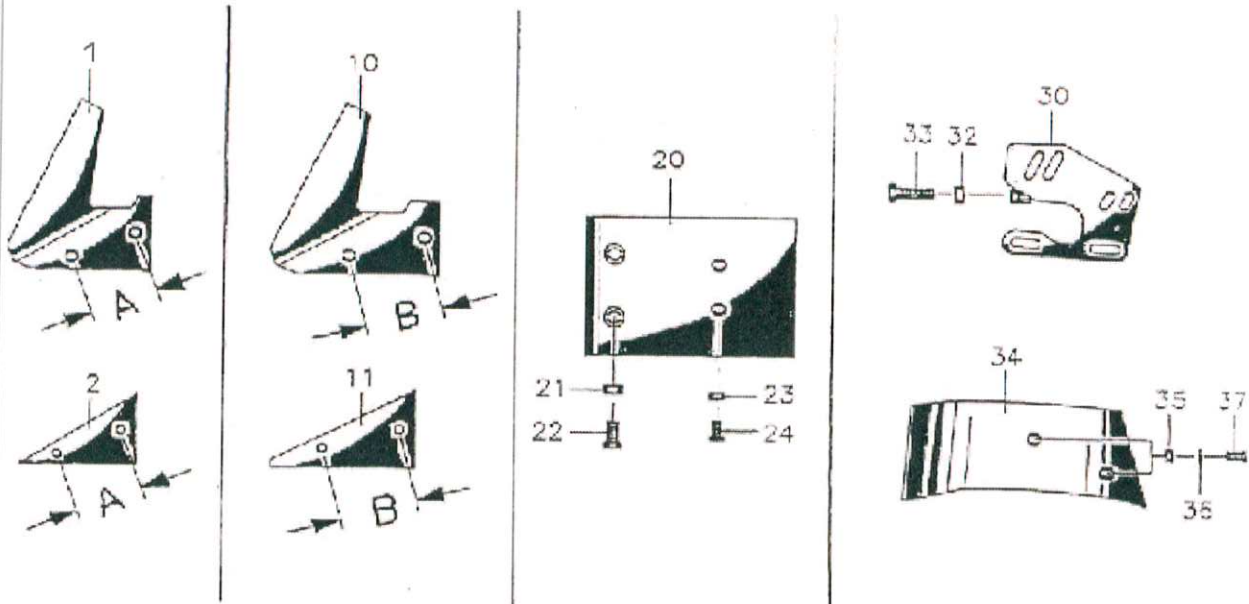
| Pos. | Id.-Nr. | Benennung | Description | Menge | Abmasse |
|------|---------|-----------------------------|------------------------|-------|------------------------|
| 1 | 024074 | Rumpf, rechts | Frog, right | 1 | |
| 1a | 024073 | Rumpf, links | Frog, left | 1 | |
| 2 | 024080 | Vorderteil, rechts | Front section, right | 1 | |
| 2a | 024081 | Vorderteil, links | Front section, left | 1 | |
| 3 | 502511 | Senkschraube | Countersunk bolt | 12 | M 12x35 10.9 |
| 4 | 510230 | Sechskantmutter | Hex. nut | 19 | M 12 DIN 934 10 |
| 5 | 502510 | Senkschraube | Countersunk bolt | 2 | M 12x30 10.9 |
| 6 | 200846 | Streifen | Strip | 1 | |
| 6a | 200845 | Streifen | Strip | 1 | |
| 7 | 520075 | Scheibe | Washer | 1 | 13/25 x 3 DIN 1441 |
| 8 | 200848 | Streifen | Strip | 1 | |
| 8a | 200847 | Streifen | Strip | 1 | |
| 9 | 200850 | Streifen | Strip | 1 | |
| 9a | 200849 | Streifen | Strip | 1 | |
| 10 | 200852 | Streifen | Strip | 1 | |
| 10a | 200851 | Streifen | Strip | 1 | |
| 11 | 026276 | Haltebügel, rechts | Support barcket | 1 | |
| 11a | 206277 | Haltebügel, links | Support barcket | 1 | |
| 12 | 500820 | Sechskantschraube | Hex. bolt | 1 | M 16x35 DIN 933 8.8 |
| 13 | 510452 | Sechskantmutter | Hex. nut | 3 | M 16 DIN 980 8 |
| 14 | 024086 | Schraube | Bolt | 1 | |
| 15 | 510317 | Sechskantmutter | Hex. nut | 1 | M 24 DIN 936 8 |
| 16 | 024085 | Spannhülse | Tension pin | 1 | |
| 17 | 510318 | Sechskantmutter | Hex. nut | 1 | M 24 DIN 933 8.8 |
| 18 | 024087 | Schraube | Bolt | 1 | |
| 19 | 500823 | Sechskantschraube | Hex. bolt | 1 | M 16x45 DIN 933 8.8 |
| 20 | 024072 | Anlage | Heel | 1 | |
| 21 | 502053 | Senkschraube | Countersunk bolt | 1 | M 16x40 DIN 604 8.8 |
| 22 | 502513 | Senkschraube | Countersunk bolt | 2 | M 12x45 10.9 |
| 23 | 024004 | Füllstück | Filling piece | 1 | |
| 24 | 600537 | Zwischenlage | Wedge | 1 | |
| 25 | 023432 | Schar, rechts | Share, right | 1 | |
| 25a | 023431 | Schar, links | Share, left | 1 | |
| 26 | 502496 | Senkschraube | Countersunk bolt | 6 | M 12x35 DIN 11014 10.9 |
| 27 | 200626 | Wechselspitzenschar, rechts | Bar point share, right | 1 | |
| 27a | 200625 | Wechselspitzenschar, links | Bar point share, left | 1 | |
| 28 | 024104 | Wechselspitzen, rechts | Bar point, right | 1 | |
| 28a | 024105 | Wechselspitzen, links | Bar point, left | 1 | |
| 29 | 502500 | Senkschraube | Countersunk bolt | 2 | M 12x32 10.9 |
| 30 | 024102 | Schar, rechts | Share, right | 1 | |
| 30a | 024103 | Schar, links | Share, left | 1 | |
| 31 | 200678 | Scharspitze, rechts | Share, blade, right | 1 | |
| 31a | 200679 | Scharspitze, links | Share, blade, right | 1 | |



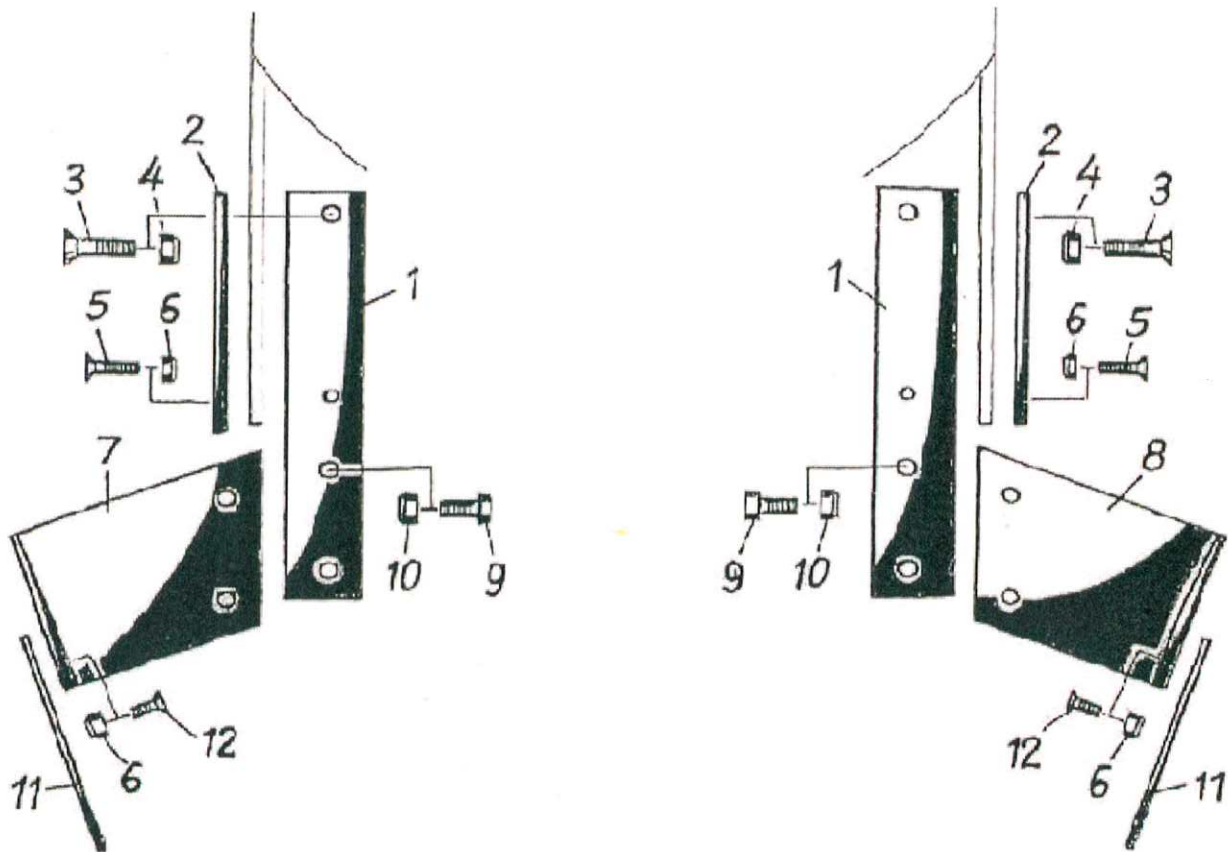
| Pos. | Id.-Nr. | Benennung | Description | Menge | Abmasse |
|------|---------|---------------------|----------------------|-------|------------------------|
| 1 | 024074 | Rumpf, rechts | Frog, right | 1 | |
| 1a | 024073 | Rumpf, links | Frog, left | 1 | |
| 2 | 502512 | Senkschraube | Countersunk bolt | 1 | M 12x40 10.9 |
| 3 | 024108 | Scheibe | Washer | 1 | 024108G |
| 4 | 502053 | Senkschraube | Countersunk bolt | 1 | M 16x40 DIN 604 8.8 |
| 5 | 510452 | Sechskantmutter | Hex. nut | 1 | M 16xDIN 980 8 |
| 6 | 024101 | Distanzstück | Spacer | 2 | |
| 8 | 510230 | Sechskantmutter | Hex. nut | 21 | M 12 DIN 934 10 |
| 9 | 502511 | Senkschraube | Countersunk bolt | 12 | M 12x35 DIN 11014 10.9 |
| 10 | 024004 | Füllstück | Filling piece | 1 | |
| 11 | 024072 | Anlage | Heel | 1 | |
| 12 | 502496 | Senkschraube | Countersunk bolt | 4 | M 12x35 DIN 11014 10.9 |
| 13 | 502495 | Senkschraube | Countersunk bolt | 1 | M 12x30 DIN 11014 10.9 |
| 14 | 023497 | Zwischenlage | Wedge | 1 | |
| 15 | 200678 | Scharspitze, rechts | Share, blade, right | 1 | |
| 15a | 200679 | Scharspitze, links | Share, blade, left | 1 | |
| 16 | 024122 | Scharballt, rechts | Share, right | 1 | |
| 16a | 024121 | Scharblatt, links | Share, left | 1 | |
| 17 | 024123 | Lasche | Tounge | 1 | |
| 18 | 024080 | Vorderteil, rechts | Front section, right | 1 | |
| 18a | 024081 | Vorderteil, links | Front section, left | 1 | |
| 19 | 502510 | Senkschraube | Countersunk bolt | 3 | M 12x30 10.9 |
| 20 | 024132 | Oberteil | Top section | 1 | |
| 20a | 024131 | Oberteil | Top section | 1 | |
| 21 | 024128 | Streifen, rechts | Strip | 1 | |
| 21a | 024127 | Streifen, links | Strip | 1 | |
| 22 | 024126 | Streifen, rechts | Strip | 1 | |
| 22a | 024125 | Streifen, links | Strip | 1 | |
| 23 | 024130 | Streifen, rechts | Strip | 1 | |
| 23a | 024129 | Streifen, links | Strip | 1 | |
| 24 | 024134 | Haltebügel, rechts | Support barcket | 1 | |
| 24a | 024133 | Haltebügel, links | Support barcket | 1 | |
| 25 | 500836 | Sechskantschraube | Hex. bolt | 2 | M 16x45 DIN 980 8.8 |
| 26 | 510452 | Sechskantmutter | Hex. nut | 3 | M 16 DIN 980 8 |
| 29 | 024086 | Schraube | Bolt | 2 | |
| 30 | 510317 | Sechskantschraube | Hex. bolt | 2 | M 24 DIN 980 8 |
| 31 | 024052 | Spannbolzen | Turnbuckle | 1 | |
| 32 | 510318 | Sechskantmutter | Hex. nut | 2 | M 24 DIN 936 8.8 |
| 33 | 024053 | Schraube | Bolt | 2 | M24L |
| 36 | 024085 | Spannhülse | Tension pin | 1 | |
| 39 | 500512 | Sechskantschraube | Hex. bolt | 1 | M 16x60 DIN 931 10.9 |
| 40 | 520075 | Scheibe | Washer | 1 | 13/25 x3 DIN 1441 |



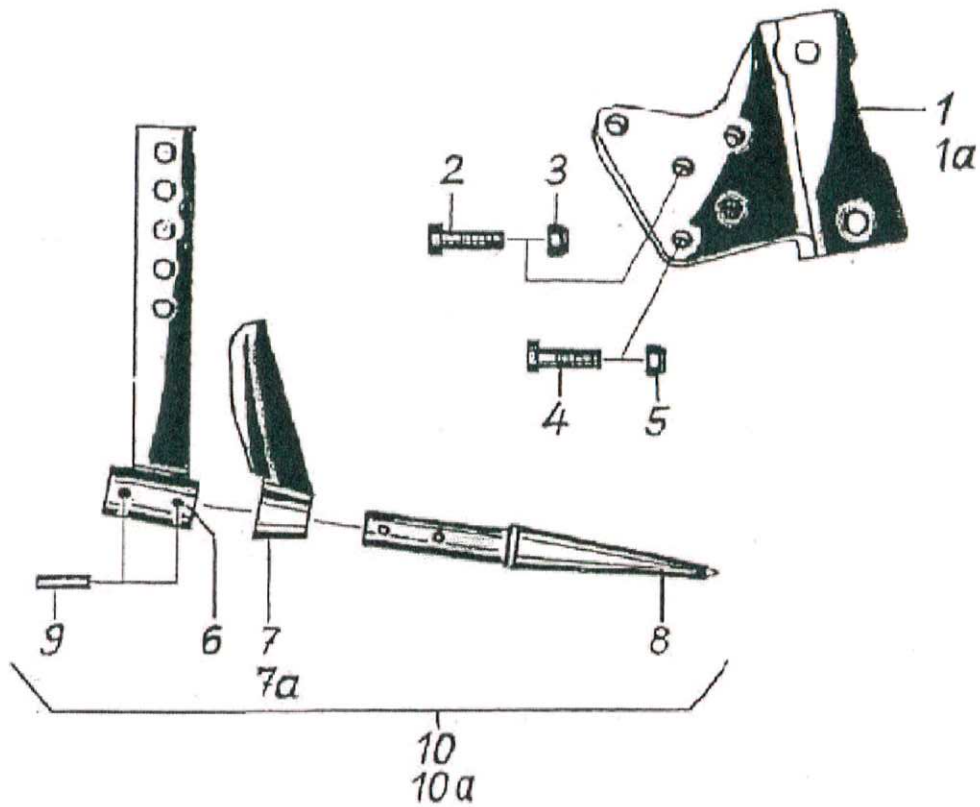
| Nr. | Id.-Nr. | Benennung | Discription | Menge | Abmasse |
|-----|---------|--------------------------|------------------------|-------|-------------------------|
| 1 | 409022c | Stiel | flat steel | 1 | 50 x 30 x 1150 |
| 2 | 409798a | Vorschälerhalter links | support left | 1 | |
| 3 | 026309 | Streichblech | mouldboard | 1 | |
| 4 | 026104 | Schar | share | 1 | |
| 5 | 026310 | Streichblech | mouldboard | 1 | spiegelbildlich 026309 |
| 6 | 026103 | Schar | share | 1 | spiegelbildlich 026104 |
| 7 | 409799a | Vorschälerhalter rechts | support left | 1 | spiegelbildlich 409798a |
| 8 | 409817 | Hülse | cartridge | 2 | |
| 9 | 409818 | Stickel | stake | 2 | |
| 10 | 570245 | Klappsplint D10 | cotter pin | 2 | Ø10 DIN 11023 |
| 11 | 502479 | Senkschraube | countersunk-head screw | 8 | M10x30 10.9 DIN 11014 |
| 12 | 500406 | SKT Schraube | hex head screw | 2 | DIN931 M14x70 10.9 |
| 13 | 510232 | Sechskantmutter | hex head nut | 2 | M14 DIN 934 8.8 |
| 14 | 520099 | Scheibe | washer | 2 | 15x25x2 DIN 125 |
| 15 | 510231 | Sechskantmutter | hex head nut | 8 | M10 DIN 934 8.8 |
| 16 | 530054 | Spannstift Ø6x20 DIN1481 | spring pin | 2 | Ø6x20 DIN 1481 |



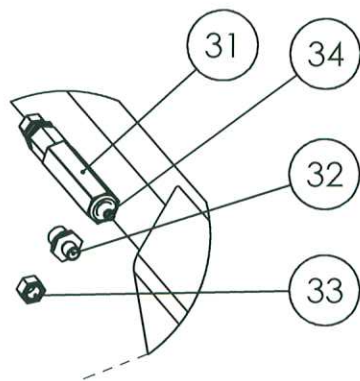
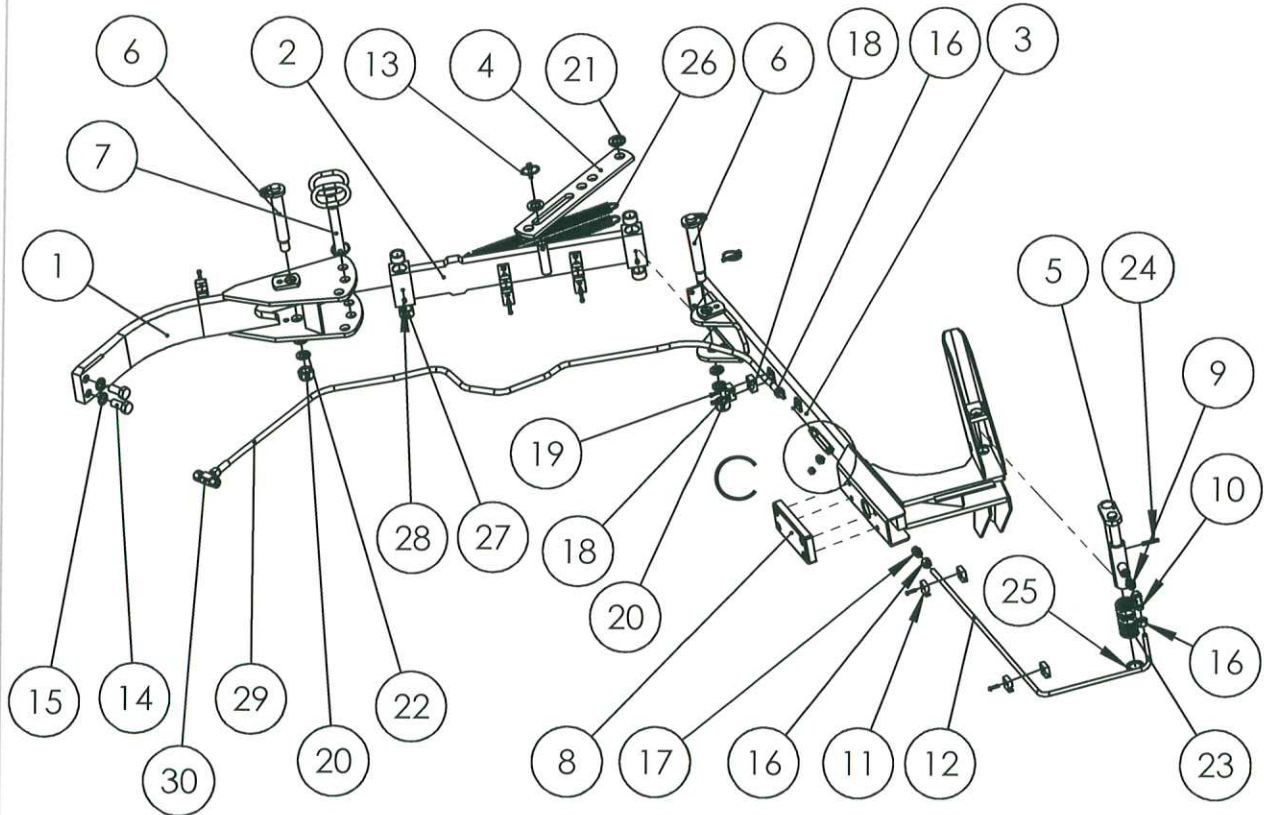
| Pos. | Id.-Nr. | Benennung | Description | Menge | Abmasse |
|------|---------|---------------------|------------------|-------|---------------------|
| 1 | 026240 | Anlagensech, rechts | Heel coulter | 1 | A=107 |
| 1a | 026241 | Anlagensech, links | Heel coulter | 1 | A=107 |
| 2 | 026244 | Distanzstück | Spacer | 1 | A=107 |
| 10 | 026242 | Anlagensech, rechts | Heel coulter | 1 | B=219 |
| 10a | 026243 | Anlagensech, links | Heel coulter | 1 | B=219 |
| 11 | 026245 | Distanzstück | Spacer | 1 | B=119 |
| 20 | 026248 | Schoner | Protector | 1 | |
| 21 | 510452 | Sechskantmutter | Hex. nut | 1 | M16 DIN 936 8 |
| 22 | 502054 | Senkschraube | Countersunk bolt | 1 | M 16x50 DIN 604 8.8 |
| 23 | 510230 | Sechskantmutter | Hex. nut | 1 | M 12 DIN 934 10 |
| 24 | 502511 | Senkschraube | Countersunk bolt | 1 | M 12x35 10.9 |
| 30 | 026224 | Halter, rechts | Barcket | 1 | |
| 30a | 026223 | Halter, links | Barcket | 1 | |
| 32 | 510310 | Sechskantmutter | Hex. nut | 1 | M 16 DIN 936 8 |
| 33 | 500835 | Sechskantschraube | Hex. bolt | 1 | M 16x80 DIN 933 8.8 |
| 34 | 026180 | Einleger, rechts | Burying coulter | 1 | |
| 34a | 026181 | Einleger, links | Burying coulter | 1 | |
| 35 | 510228 | Sechskantmutter | Hex. bolt | 1 | M 12 DIN 934 |
| 36 | 520075 | Scheibe | Washer | 1 | 12/25 x3 DIN 1441 |
| 37 | 502510 | Senkschraube | Countersunk bolt | 1 | M 12x30 10.9 |



| Pos. | Id.-Nr. | Benennung | Description | Menge | Abmasse |
|------|---------|-------------------|------------------|-------|---------------------|
| 1 | 009652 | Winkel | Barcket | 2 | |
| 2 | 009654 | Schutz | Guard | 2 | |
| 3 | 502055 | Senkschraube | Countersunk bolt | 2 | M 16x60 8.8 DIN 604 |
| 4 | 510459 | Sechskantmutter | Hex. nut | 2 | M 16x1,5 DIN 980 |
| 5 | 502513 | Senkschraube | Countersunk bolt | 2 | M 12x45 10.9 |
| 6 | 510451 | Sechskantmutter | Hex. nut | 4 | M 12 DIN 980 8 |
| 7 | 009656 | Schar, rechts | Share | 1 | |
| 8 | 009655 | Schar, links | Share | 1 | |
| 9 | 500825 | Sechskantschraube | Hex. bolt | 2 | M 16x55 DIN 933 8.8 |
| 10 | 510452 | Sechskantmutter | Hex. nut | 2 | M 16 DIN 980 8 |
| 11 | 009653 | Leitblech | Guiding plate | 2 | |
| 12 | 502510 | Senkschraube | Countersunk bolt | 2 | M 12x30 10.9 |



| Pos. | Id.-Nr. | Benennung | Description | Menge | Abmasse |
|------|---------|----------------------|--------------------|-------|-------------------------|
| 1 | 026302 | Konsole, rechts | Console | 1 | |
| 1a | 026303 | Konsole, links | Console | 1 | |
| 2 | 501500 | Sechskantpaßschraube | Hex. bolt | 1 | M 16x1,5, 5x60 DIN 7968 |
| 3 | 510459 | Sechskantmutter | Hex. nut | 1 | M 16x1,5 DIN 980 |
| 4 | 500825 | Sechskantschraube | Hex. bolt | 1 | M 16x50 DIN 933 8.8 |
| 5 | 510452 | Sechskantmutter | Hex. nut | 1 | M 16 DIN 980 8 |
| 6 | 026306 | Stiel | Plough leg | 1 | |
| 7 | 026304 | Stielschutz, rechts | Plough leg guard | 1 | 026304G |
| 7a | 023605 | Stielschutz, links | Plough leg guard | 1 | 026305G |
| 8 | 026271 | Dorn | Spike | 1 | |
| 9 | 530095 | Spannhülse | Tension pin | 1 | 8x45 DIN 1481 |
| 10 | 026308 | Untergrunddorn | Underground mandel | 1 | |
| 10a | 026307 | Untergrunddorn | Underground mandel | 1 | |



DETAIL C
MAßSTAB 1 : 5

| Nr. | Id.-Nr. | Benennung | Discription | Menge | Abmasse |
|-----|----------|-----------------------|--------------------------|-------|-------------------------|
| 1 | 009681a | Auslegerarm | arm | 1 | |
| 2 | 009683 | Gelenkstange | toggle link | 1 | |
| 3 | 009685a | Fangarm geschw. | capture arm | 1 | |
| 4 | 009684 | Verstellblech | shiftplate | 1 | |
| 5 | 009686a | SBG Fangbolzen | bolt with hydr. cylinder | 1 | |
| 6 | 033530 | Schwenkbolzen | bolt | 2 | |
| 7 | 009682 | Anschlagbolzen | bolt | 2 | |
| 8 | 705131 | Anschlagplatte | limiter | 1 | |
| 9 | 580359 | EO-Verschraubung | EO-mounting | 1 | GE 12-PLM vz. |
| 10 | 580395 | EO-Verschraubung | EO mounting | 1 | EVW12-L vz. |
| 11 | 570588 | Halbschale | shell | 4 | |
| 12 | 580320 | Ermeto-Rohr | Ermeto pipe | 1 | 12x2x320 vz HR751DH-6 |
| 13 | 570247 | Klappstecker | locking pin | 4 | DIN 11023 8mm vz. |
| 14 | 500841 | Sechskantschraube | hex head screw | 2 | M20x45 8.8 DIN 931 |
| 15 | 520584 | Sicherungsring | washer | 2 | VS 20 (Schnorr) |
| 16 | 580395-2 | EO-Verschraubung | EO-fitting | 3 | EVW12-L vz. |
| 17 | 580374 | Verschraubung, gerade | fitting straight | 1 | G 12-PL vz. |
| 18 | 570589 | Schellenhaelfte | cable clip | 8 | 215PP |
| 19 | 501901 | Linsenschraube | pan head screw | 10 | M6x25 vz. DIN7985 |
| 20 | 510462 | Sechskantmutter | hex head nut | 2 | M24x1,5 DIN EN 10513 |
| 21 | 520180 | Scheibe | washer | 2 | M24 DIN 125 vz. |
| 22 | 520177 | Scheibe | washer | 4 | Ø25 x 44 x 4 DIN 125 |
| 23 | 560385 | Druckfeder | spring | 1 | 120xØ6,5xØ43,5 |
| 24 | 530146 | Spannstift | spring pin | 1 | Ø8x45 DIN 1481 |
| 25 | 520228 | Scheibe | washer | 1 | 32/46X3 (STOSSRINGSCH.) |
| 26 | 560065 | Zugfeder | spring | 2 | 253 x 29 x 4 RZ-198 A2 |
| 27 | 541702 | Buchse | bush | 4 | Ø30 x 38 x 20 |
| 28 | 570265 | Schmiernippel | grease nipple | 2 | M8 x 1 H1/S |
| 29 | 580834 | Hydraulikschlauch | hydr. tube | 1 | 3850 |
| 30 | 580384 | Verschraubung | Screw fixing | 1 | T EVL 12-PS A3C |
| 31 | 580243 | Druckventil | pressure valve | 1 | |
| 32 | 580354 | Verschraubung | gland | 2 | |
| 33 | 580429 | Überwurfmutter | nut | 2 | |
| 34 | 580436 | Schneidring | cutting ring | 2 | |